

DESCRIPTION:

Patent pending luminaire, SunStar25, is one of the brightest can light equivalents on the market at its extremely small size (1" Ø by 4" H). Energy efficient, innovative, and lightweight the 6.5W SunStar25M1X3 is a 50W 4" traditional can equivalent without the bulky necessities of a traditional can. SunStar25 comes in a standard version with a 90° beam and an optional diffused version with a 110° beam. With super bright energy efficient LEDs, the SunStar25's low profile, rugged construction, and multiple trim kits make this 124 lm/watt SR25M1X3 can light the right choice for illuminating any installation where the best illumination and energy savings are needed.

SPECIFICATIONS:

LUMINAIRE:

Total luminaire length 4" (non fire rated) and 5" (fire rated). 1" diameter housing with six available trim options (1.5" White/Silver, 2.5" White/Silver, and 6" White/Silver for traditional can retrofit). Includes one upgradable module.

CONSTRUCTION:

Extruded aluminum housing has a diameter of 1". Plastic mounting bracket is tension fit to fixture and ceiling with no exposed fasteners.

MODULE:

One three chip LED module utilizing Sunlite patented application specific technology with four standard color temperature options (2700K, 3500K, 4100K, and 5500K).

CONTROLS:

0-10V Dimming when utilizing suggested dimming AC-DC driver down to 10%. Smart lighting compatible.

OPTICS:

Optical system consists of milled aluminum primary optic, clear glass lens, and aluminum reflector. Translucent plastic diffuser optional.

FINISH:

Standard finish for housing is anodized aluminum. Consult factory for custom colors.

ENVIRONMENT:

Damp location rated. Fixture operating temperature -30° C to 40°C.

WARRANTY:

Five-year warranty for fixture and driver. Terms and conditions apply.

ELECTRICAL:

SunStar25M1X3 setup consists of multiple fixtures and a [0-10V dimming] AC-DC driver. Fixture input wattage is 6.5W for 693 delivered-lumen package per 3500K fixture. SunStar25 contains an LED shunt protection device and a thermal fuse.

Must specify driver. Specify 110V to 277V to driver. Wire lights in series with CL2/18-2. For special circuiting or wire gauge, consult factory.

LIFETIME:

Designed and built to last over 60,000 hours.

VALIDATION:

UL/cUL listed.

SHIPPING:

Approximate net shipping weight is 0.1 lbs (0.05 kg).



PROJECT:

PRODUCT:

LOCATION:

CONTACT:



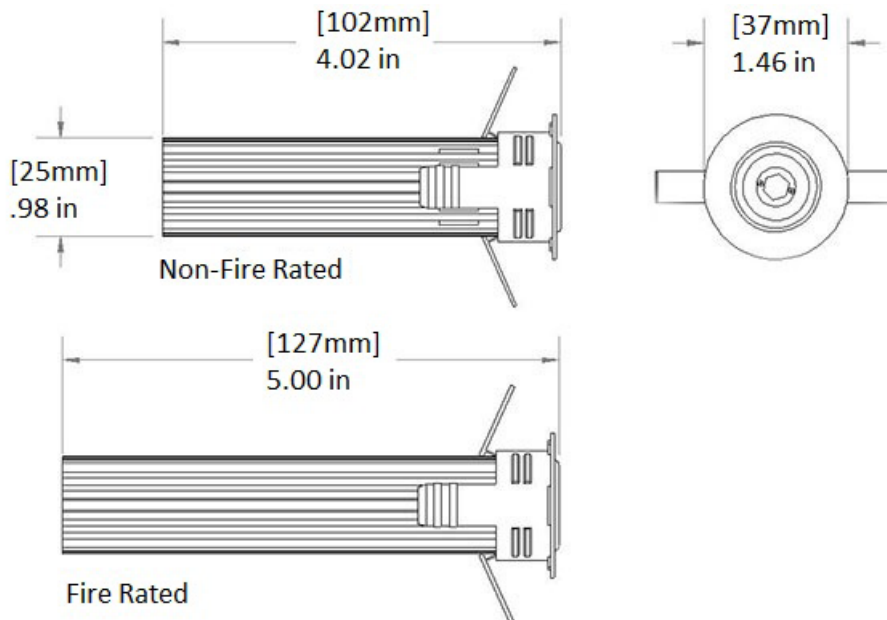
SUNSTAR25
CAN LIGHT /
DOWN LIGHT
SR25M1X3

SOLID STATE LED

USE:

TRADITIONAL
50W/4" CAN
EQUIVALENT

DIMENSIONS:



CONTACT:

4811 Quail Crest Place
Lawrence, KS 66049
www.sunlitest.com
T:785.856.0219

CERTIFICATION:

UL and cUL
Damp Location Listed
IP64 Rated

ENERGY:

>0.9 Power Factor
700mA / ~ 10VDC
-30° C to 40° C
6.5W

SHIPPING:

Approx. Net Weight
0.1 lbs (0.05 kg)

CATALOG NUMBER:

EXAMPLE PRODUCT CODE: SR25M1X3-0700-SV-35-2SV-D

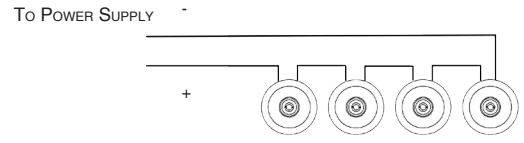
() - - - -

PRODUCT	LED MODULE SIZE	FIRE RATED	HOUSING COLOR	COLOR TEMPERATURE	TRIM	DIFFUSER					
SR25	M1X3	1 MODULE 3 CHIPS	F	SV	SILVER	55	5000K	2SV	2.5"Ø SILVER	D	WITH DIFFUSER
					41	4100K	2WT	2.5"Ø WHITE			
					35	3500K	1SV	1.5"Ø SILVER			
					27	2700K	1WT	1.5"Ø WHITE			
					SB	SOLID BLUE					
					SG	SOLID GREEN					
					SR	SOLID RED					
RGB	RGB										

RECOMMENDED DRIVERS:

BASIC DRIVERS AND WIRING (UP TO 6 FIXTURES IN A SERIES)

NON-DIMMABLE DRIVERS					
LPLC-18-700		LPC-35-700			
1 OR 2 IN A SERIES		3 TO 5 IN A SERIES			
DIMMABLE DRIVERS					
LUC-010S070DSM	LUC-018S070DSP	EUC-026S070DSC	EUC-042S070DSC	LUC-24S070DSW (NO WIRES)	LUC-42S070DSW (NO WIRES)
1 FIXTURE	2 IN A SERIES	2 OR 3 IN A SERIES	3 TO 5 IN A SERIES	2 OR 3 IN A SERIES	3 TO 5 IN A SERIES
LPF25D-36 (DIM TO OFF)					
3 IN A SERIES					



CALL FOR SPECIALTY DRIVER OPTIONS

LUMEN OUTPUT:

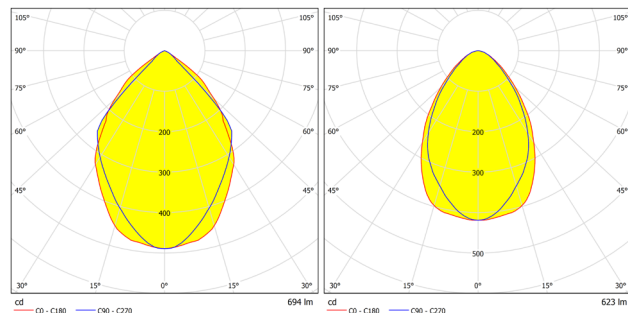
COLOR TEMPERATURE	WATTAGE	LUMEN	CRI
2700K	6.5	659	80
3500K	6.5	693	80
4100K	6.5	728	80
5500K	6.5	804	75

QUANTITY ESTIMATOR:

ROOM SIZE	20FC	35FC	70FC
10'X10'	5	8	15
20'X20'	14	24	45
30'X30'	30	48	96

SIMULATION BASED ON 10' CEILING HEIGHT STANDARD REFLECTANCE 80/50/20, FC = FOOT CANDEL

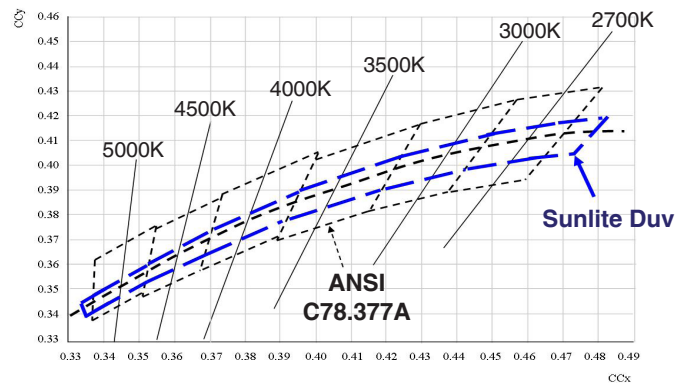
PHOTOMETRICS:



SR25M1X3-35

SR25M1X3-35-D

DUV RANGE:



TYPICAL MOUNTING CONFIGURATIONS:

