

## DESCRIPTION:

Patent pending luminaire, SunStar50, is one of the brightest IC rated can light equivalents on the market at its extremely small size (2" Ø by 1" H). Energy efficient, innovative, and lightweight the 2.2W SunStar50M1X1 -12 is a 20W Halogen Puck Light replacement. SunStar50 comes in a standard version with a 90° beam and an optional diffused version with a 110° beam. With super bright energy efficient LEDs, the SunStar50's low profile, rugged construction, and multiple trim kits make this 124 lm/watt (SR50M1X1) can light the right choice for illuminating any installation where the best illumination and energy savings are needed.

## SPECIFICATIONS:

### LUMINAIRE:

Total luminaire length 1". 2" diameter housing with 3 available trim options (2.5", 3.5" and 7"). Includes one upgradable module.

### CONSTRUCTION:

Extruded aluminum housing has a diameter of 2". Metal mounting bracket is tension fit to fixture and ceiling with no exposed fasteners.

### MODULE:

One 1 chip LED module utilizing Sunlite patented application specific technology with four standard color temperature options (2700K, 3500K, 4100K, and 5500K).

### CONTROLS:

0-10V Dimming when utilizing suggested dimming AC-DC driver fixtures dim down to 10%. Smart lighting compatible.

### OPTICS:

Optical system consists of milled aluminum primary optic, clear glass lens, and aluminum reflector. Translucent plastic diffuser optional.

### FINISH:

Standard finish for housing is anodized aluminum. Consult factory for custom colors.

### ENVIRONMENT:

Damp location rated. Fixture operating temperature -30° C to 40°C.

### WARRANTY:

Ten-year warranty for indoor fixture. Five-year warranty for outdoor fixture and driver. Terms and conditions apply.

### ELECTRICAL:

SunStar50M1X1 setup consists of multiple fixtures and a [0-10V dimming] AC-DC driver. Fixture input wattage is 2.2W for 167 delivered-lumen package per 3500K fixture. SunStar50 contains an LED shunt protection device.

Must specify driver. Specify 110V to 277V to driver. Wire lights in series with CL2/18-2. For special circuiting or wire gauge, consult factory.

### LIFETIME:

Designed and built to last over 60,000 hours.

### VALIDATION:

UL/cUL listed.

### SHIPPING:

Approximate net shipping weight is 0.12 lbs (0.05 kg).



PROJECT:

PRODUCT:

LOCATION:

CONTACT:



**SUNSTAR50**

**PUCK LIGHT**

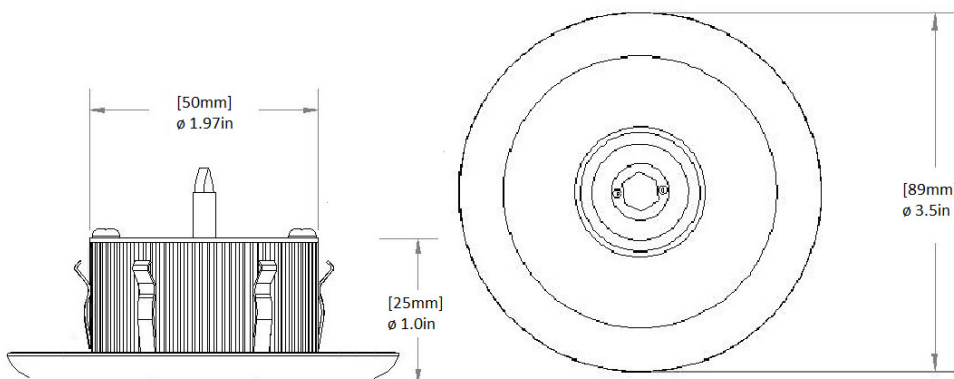
**SR50M1X1-12**

**SOLID STATE LED**

**Use:**

**TRADITIONAL  
20W HALOGEN  
EQUIVALENT**

## DIMENSIONS:



### CONTACT:

4811 Quail Crest Place  
Lawrence, KS 66049  
www.sunlitest.com  
T:785.856.0219

### CERTIFICATION:

UL and cUL  
Damp Location Listed  
IP64 Rated

### ENERGY:

>0.9 Power Factor  
12VDC / ~700mA  
-30° C to 40°C  
2.2W

### SHIPPING:

Approx. Net Weight  
0.12 lbs (0.05 kg)

# CATALOG NUMBER:

EXAMPLE PRODUCT CODE: SR50M1X1-12-SV-35-2SV-D

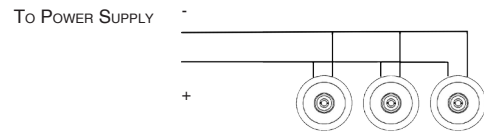
\_\_\_\_\_ - \_\_\_\_\_ - \_\_\_\_\_ - \_\_\_\_\_ - \_\_\_\_\_ - \_\_\_\_\_ - \_\_\_\_\_

PRODUCT	LED MODULE SIZE	VOLTAGE	HOUSING COLOR	COLOR TEMPERATURE	TRIM	DIFFUSER				
SR50	M1X1	1 MODULE 1 CHIP	12 VDC	SV	SILVER	D WITH DIFFUSER				
							55	5000K	2SV	2.5" Ø SILVER
							41	4100K	2WT	2.5" Ø WHITE
							35	3500K	3SV	3.5" Ø SILVER
							27	2700K	3WT	3.5" Ø SILVER
							SB	SOLID BLUE	6SV	7" Ø SILVER
							SG	SOLID GREEN	6WT	7" Ø SILVER
SR	SOLID RED									

## RECOMMENDED DRIVERS:

### BASIC DRIVERS AND WIRING

NON-DIMMABLE DRIVERS		
LPV-20-12	LPV-35-12	LPV-60-12
LINK UP TO 6	LINK UP TO 10	LINK UP TO 18



CALL FOR SPECIALTY DRIVER OPTIONS

## LUMEN OUTPUT:

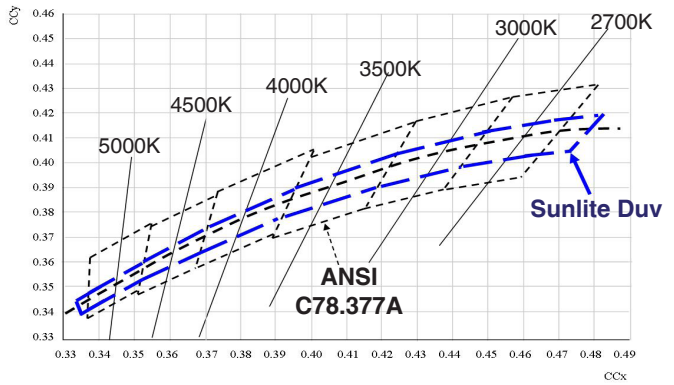
COLOR TEMPERATURE	WATTAGE	LUMEN	CRI
2700K	2.2	219	80
3500K	2.2	231	80
4100K	2.2	242	80
5500K	2.2	267	75

### WORKPLANE FOOT CANDLE:

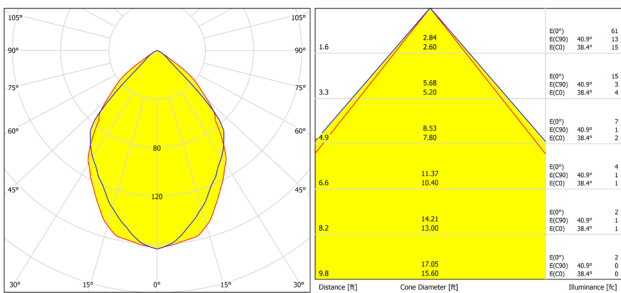
DISTANCE FROM WORKPLANE	HALF VALUE COVERAGE (FT)	LIGHT LEVEL (FC)
1.5	2.6	72
2	3.5	40
3.5	6	13

FC = FOOT CANDLE

## DUV RANGE:



## PHOTOMETRICS:



SR50M1X1-35

SR50M1X1-35

## TYPICAL MOUNTING CONFIGURATIONS:

