

DESCRIPTION:

Patent pending luminaire, SunStar50, is one of the brightest IC rated can light equivalents on the market at its extremely small size (2" Ø by 1" H). Energy efficient, innovative, and lightweight the 2.2W SunStar50M1X1 can is a 20W equivalent without the bulky necessities of a traditional can. SunStar50 comes in a standard version with a 90° beam and an optional diffused version with a 110° beam. With super bright energy efficient LEDs, the SunStar50's low profile, rugged construction, and multiple trim kits make this 124 lm/watt (SR50M1X1) can light the right choice for illuminating any installation where the best illumination and energy savings are needed.

SPECIFICATIONS:

LUMINAIRE:

Total luminaire length 1". 2" diameter housing with 3 available trim options (2.5", 3.5" and 7"). Includes one upgradable module.

CONSTRUCTION:

Extruded aluminum housing has a diameter of 2". Metal mounting bracket is tension fit to fixture and ceiling with no exposed fasteners.

MODULE:

One 1 chip LED module utilizing Sunlite patented application specific technology with four standard color temperature options (2700K, 3500K, 4100K, and 5500K).

CONTROLS:

0-10V Dimming when utilizing suggested dimming AC-DC driver fixtures dim down to 10%. Smart lighting compatible.

OPTICS:

Optical system consists of milled aluminum primary optic, clear glass lens, and aluminum reflector. Translucent plastic diffuser optional.

FINISH:

Standard finish for housing is anodized aluminum. Consult factory for custom colors.

ENVIRONMENT:

Damp location rated. Fixture operating temperature -30° C to 40°C.

WARRANTY:

Ten-year warranty for indoor fixture. Five-year warranty for outdoor fixture and driver. Terms and conditions apply.

ELECTRICAL:

SunStar50M1X1 setup consists of multiple fixtures and a [0-10V dimming] AC-DC driver. Fixture input wattage is 2.2W for 231 delivered-lumen package per 3500K fixture. SunStar50 contains an LED shunt protection device.

Must specify driver. Specify 110V to 277V to driver. Wire lights in series with CL2/18-2. For special circuiting or wire gauge, consult factory.

LIFETIME:

Designed and built to last over 60,000 hours.

VALIDATION:

UL/cUL listed.

SHIPPING:

Approximate net shipping weight is 0.12 lbs (0.05 kg).



PROJECT:

PRODUCT:

LOCATION:

CONTACT:



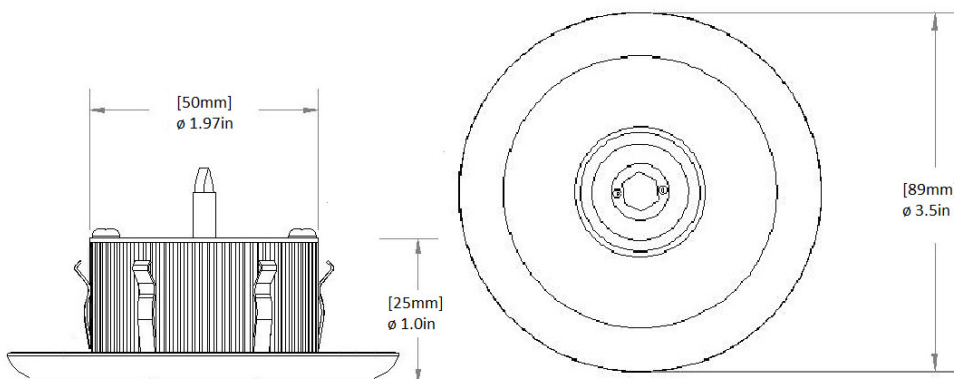
SUNSTAR50
CAN LIGHT /
DOWN LIGHT
SR50M1X1

SOLID STATE LED

USE:

TRADITIONAL
20W/2" CAN
EQUIVALENT

DIMENSIONS:



CONTACT:

4811 Quail Crest Place
Lawrence, KS 66049
www.sunlitest.com
T:785.856.0219

CERTIFICATION:

UL and cUL
Damp Location Listed
IP64 Rated

ENERGY:

>0.9 Power Factor
700mA / ~3.3VDC
-30° C to 40°C
2.2W

SHIPPING:

Approx. Net Weight
0.12 lbs (0.05 kg)

CATALOG NUMBER:

EXAMPLE PRODUCT CODE: SR50M1X1-0700-SV-35-2SV-D

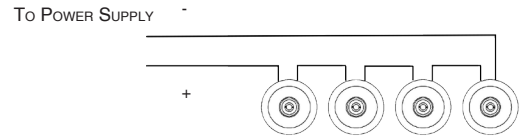
_____ - _____ - _____ - _____ - _____ - _____ - _____

PRODUCT	LED MODULE SIZE	CURRENT	HOUSING COLOR	COLOR TEMPERATURE	TRIM	DIFFUSER
SR50	M1X1	1 MODULE 1 CHIP	0700 MA	SV SILVER	55 5000K	2SV 2.5"Ø SILVER
					41 4100K	2WT 2.5"Ø WHITE
					35 3500K	3SV 3.5" Ø SILVER
					27 2700K	3WT 3.5" Ø SILVER
					SB SOLID BLUE	6SV 7" Ø SILVER
					SG SOLID GREEN	6WT 7" Ø SILVER
					SR SOLID RED	

RECOMMENDED DRIVERS:

BASIC DRIVERS AND WIRING

NON-DIMMABLE DRIVERS	
LPLC-18-700	
3 TO 6 IN A SERIES	
DIMMABLE DRIVERS	
LUC-018S070DSP	
6 IN A SERIES	



CALL FOR SPECIALTY DRIVER OPTIONS

LUMEN OUTPUT:

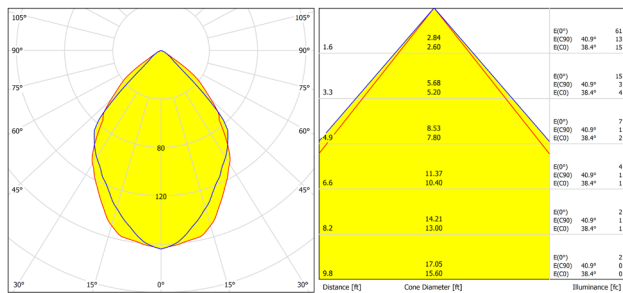
COLOR TEMPERATURE	WATTAGE	LUMEN	CRI
2700K	2.2	219	80
3500K	2.2	231	80
4100K	2.2	242	80
5500K	2.2	267	75

WORKPLANE FOOT CANDLE:

DISTANCE FROM WORKPLANE	HALF VALUE COVERAGE (FT)	LIGHT LEVEL (FC)
1.5	2.6	72
2	3.5	40
3.5	6	13

FC = FOOT CANDLE

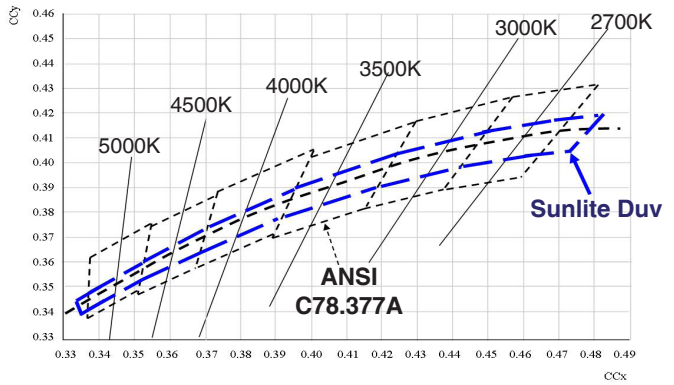
PHOTOMETRICS:



SR50M1X1-35

SR50M1X1-35

DUV RANGE:



TYPICAL MOUNTING CONFIGURATIONS:

