

DESCRIPTION:

Patent pending luminaire, Recessed SunStar50, is one of the brightest IC rated can light equivalents on the market at its extremely small size (2" Ø by 3" H). Energy efficient, innovative, and lightweight the 6.5W SunStar50M1X3-RC is a 50W 4" traditional can equivalent without the bulky necessities of a traditional can. SunStar50 Recessed comes in a standard version with a 140° beam. With super bright energy efficient LEDs, the Recessed SunStar50's low profile and rugged construction make this 98 lm/watt (SR50M1X3-RC) can light the right choice for illuminating any installation where the best illumination and energy savings are needed.

SPECIFICATIONS:

LUMINAIRE:

Total luminaire length 3".
2" diameter housing with a flush aluminum trim. Module is held back 1" or 2".

CONSTRUCTION:

Extruded aluminum housing has a diameter of 2". Metal mounting bracket is tension fit to fixture and ceiling with no exposed fasteners.

MODULE:

One three chip LED module utilizing Sunlite patented application specific technology with four available color temperature options (2700K, 3500K, 4100K, and 5500K).

CONTROLS:

0-10V Dimming when utilizing suggested dimming AC-DC driver fixtures dim down to 10%. Smart lighting compatible.

OPTICS:

Optical system consists of milled aluminum primary optic, clear glass lens, and aluminum reflector.

FINISH:

Standard finish for housing is anodized aluminum. Consult factory for custom colors.

ENVIRONMENT:

Damp location rated. Fixture operating temperature -30° C to 40°C.

WARRANTY:

Ten-year warranty for indoor fixture. Five-year warranty for outdoor fixture and driver. Terms and conditions apply.

ELECTRICAL:

SunStar50M1X3-RC setup consists of multiple fixtures and [0-10V dimming] AC-DC driver. Fixture input wattage is 6.5W for 578 delivered lumen package per 3500K fixture. SunStar50 contains an LED shunt protection device.

Must Specify driver. Specify 110V to 277V to driver. Wire lights in series with CL2/18-2. For special circuiting or wire gauge, consult factory.

LIFETIME:

Designed and built to last over 60,000 hours.

VALIDATION:

UL/cUL listed.

SHIPPING:

Approximate net shipping weight is 0.2 lb (0.08 kg).



PROJECT:

PRODUCT:

LOCATION:

CONTACT:

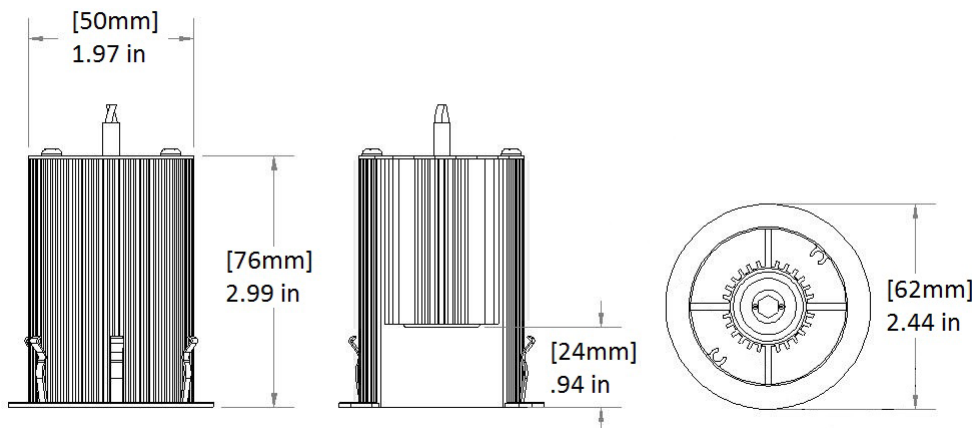


SUNSTAR50
CAN LIGHT /
DOWN LIGHT
SR50M1X3-RC

SOLID STATE LED

USE:
TRADITIONAL
50W/4" CAN
EQUIVALENT

DIMENSIONS:



CONTACT:

4811 Quail Crest Place
Lawrence, KS 66049
www.sunlitest.com
T:785.856.0219

CERTIFICATION:

UL and cUL
Damp Location Listed
IP64 Rated

ENERGY:

>0.9 Power Factor
700mA / ~ 10VDC
-30° C to 40° C
6.5W

SHIPPING:

Approx. Net Weight
0.2 lb (0.08 kg)

CATALOG NUMBER:

EXAMPLE PRODUCT CODE: SR50M1X3-RC-0700-SV-50-35-D

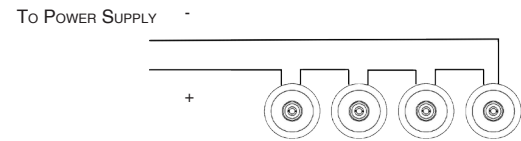
- - - - - - -

PRODUCT	LED MODULE SIZE	HOUSING	CURRENT	HOUSING COLOR	BEAM ANGLE	COLOR TEMPERATURE	DIFFUSER							
SR50	M1X3	1 MODULE 3 CHIP	RC	RECESSED	0700	mA	SV	SILVER	50	50°	55	5500K	D	DIFFUSED
								BK	BLACK	140	140°	41	4100K	
											35	3500K		
											27	2700K		
											RGB	RGB		
											SB	SOLID BLUE		
											SG	SOLID GREEN		
											SR	SOLID RED		

RECOMMENDED DRIVERS:

BASIC DRIVERS AND WIRING (UP TO 6 FIXTURES IN A SERIES)

NON-DIMMABLE DRIVERS					
LPLC-18-700		LPC-35-700			
1 OR 2 IN A SERIES		3 TO 5 IN A SERIES			
DIMMABLE DRIVERS					
LUC-010S070DSM	LUC-018S070DSP	EUC-026S070DSC	EUC-042S070DSC	LUC-24S070DSW (NO WIRES)	LUC-42S070DSW (NO WIRES)
1 FIXTURE	2 IN A SERIES	2 OR 3 IN A SERIES	3 TO 5 IN A SERIES	2 OR 3 IN A SERIES	3 TO 5 IN A SERIES
LPF25D-36 (DIM TO OFF)					
3 IN A SERIES					



CALL FOR SPECIALTY DRIVER OPTIONS

LUMEN OUTPUT:

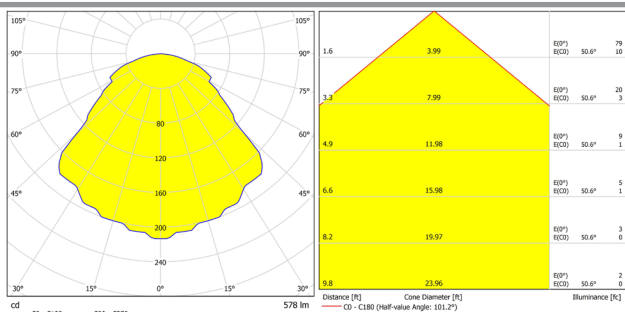
COLOR TEMPERATURE	WATTAGE	LUMEN	CRI
2700K	6.5	550	80
3500K	6.5	578	80
4100K	6.5	606	80
5500K	6.5	637	75

QUANTITY ESTIMATOR:

ROOM SIZE	15FC	25FC	50FC
10'X10'	6	9	18
20'X20'	14	24	45
30'X30'	30	45	90

SIMULATION BASED ON 10' CEILING HEIGHT STANDARD REFLECTANCE 80/50/20, FC = FOOTCANDLES

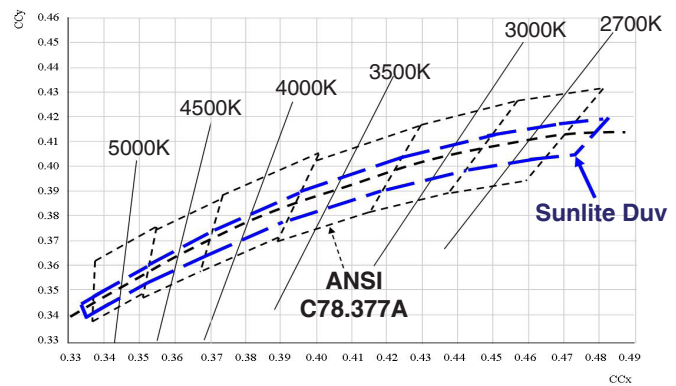
PHOTOMETRICS:



SR50M1X3-RC-35

SR50M1X3-RC-35

DUV RANGE:



TYPICAL MOUNTING CONFIGURATIONS:

