

DESCRIPTION:

Patent pending luminaire, Recessed SunStar50, is one of the brightest IC rated can light equivalents on the market at its extremely small size (2" Ø by 3" H). Energy efficient, innovative, and lightweight the 6.5W SunStar50M1X6-RC is a 60W 4" traditional can equivalent without the bulky necessities of a traditional can. SunStar50 Recessed comes in a standard version with a 140° beam. With super bright energy efficient LEDs, the Recessed SunStar50's low profile and rugged construction make this 117 lm/watt (SR50M1X6-RC) can light the right choice for illuminating any installation where the best illumination and energy savings are needed.

SPECIFICATIONS:

LUMINAIRE:

Total luminaire length 3".
2" diameter housing with a flush aluminum trim. Module is held back 1" or 2".

CONSTRUCTION:

Extruded aluminum housing has a diameter of 2". Metal mounting bracket is tension fit to fixture and ceiling with no exposed fasteners.

MODULE:

One six chip LED module utilizing Sunlite patented application specific technology with four available color temperature options (2700K, 3500K, 4100K, and 5500K).

CONTROLS:

0-10V Dimming when utilizing suggested dimming AC-DC driver fixtures dim down to 10%. Smart lighting compatible.

OPTICS:

Optical system consists of milled aluminum primary optic, clear glass lens, and aluminum reflector.

FINISH:

Standard finish for housing is anodized aluminum. Consult factory for custom colors.

ENVIRONMENT:

Damp location rated. Fixture operating temperature -30° C to 40°C.

WARRANTY:

Ten-year warranty for indoor fixture. Five-year warranty for outdoor fixture and driver. Terms and conditions apply.

ELECTRICAL:

SunStar50M1X6-RC setup consists of multiple fixtures and [0-10V dimming] AC-DC driver. Fixture input wattage is 6.5W for 693 delivered lumen package per 3500K fixture. SunStar50 contains an LED shunt protection device.

Must Specify driver. Specify 110V to 277V to driver. Wire lights in series with CL2/18-2. For special circuiting or wire gauge, consult factory.

LIFETIME:

Designed and built to last over 60,000 hours.

VALIDATION:

UL/cUL listed.

SHIPPING:

Approximate net shipping weight is 0.2 lb (0.08 kg).



PROJECT:

PRODUCT:

LOCATION:

CONTACT:



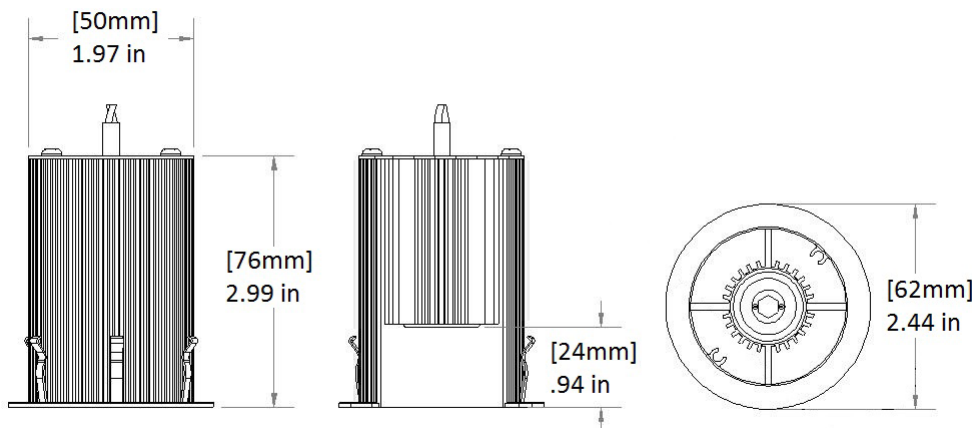
SUNSTAR50-RC
RECESSED CAN /
DOWN LIGHT
SR50M1X6-RC

SOLID STATE LED

USE:

TRADITIONAL
60W/6" CAN
EQUIVALENT

DIMENSIONS:



CONTACT:

4811 Quail Crest Place
Lawrence, KS 66049
www.sunlitest.com
T:785.856.0219

CERTIFICATION:

UL and cUL
Damp Location Listed
IP64 Rated

ENERGY:

>0.9 Power Factor
700mA / 10VDC
-30° C to 40° C
6.5W

SHIPPING:

Approx. Net Weight
0.2 lb (0.08 kg)

CATALOG NUMBER:

EXAMPLE PRODUCT CODE: SR50M1X6-RC-0700-SV-50-35-D

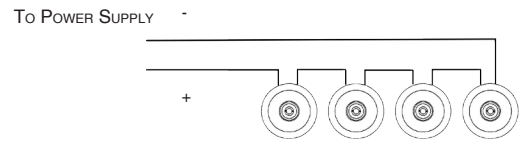
- - - - - - -

| PRODUCT | LED MODULE SIZE | HOUSING | CURRENT | HOUSING COLOR | BEAM ANGLE | COLOR TEMPERATURE | DIFFUSER | | | | |
|---------|-----------------|-----------------|---------|---------------|------------|-------------------|-----------|----------|---------------|---|----------|
| SR50 | M1X6 | 1 MODULE 6 CHIP | RC | RECESSED | 0700 | mA | SV SILVER | 50 50° | 55 5500K | D | DIFFUSED |
| | | | | | | | BK BLACK | 140 140° | 41 4100K | | |
| | | | | | | | | 35 | 3500K | | |
| | | | | | | | | 27 | 2700K | | |
| | | | | | | | | 27/55 | TUNABLE WHITE | | |
| | | | | | | | | SB | SOLID BLUE | | |
| | | | | | | | | SG | SOLID GREEN | | |
| | | | | | | | | SR | SOLID RED | | |

RECOMMENDED DRIVERS:

BASIC DRIVERS AND WIRING (UP TO 6 FIXTURES IN A SERIES)

| NON-DIMMABLE DRIVERS | | | | | |
|------------------------|----------------|--------------------|--------------------|--------------------------|--------------------------|
| LPLC-18-700 | | LPC-35-700 | | | |
| 1 OR 2 IN A SERIES | | 3 TO 5 IN A SERIES | | | |
| DIMMABLE DRIVERS | | | | | |
| LUC-010S070DSM | LUC-018S070DSP | EUC-026S070DSC | EUC-042S070DSC | LUC-24S070DSW (NO WIRES) | LUC-42S070DSW (NO WIRES) |
| 1 FIXTURE | 2 IN A SERIES | 2 OR 3 IN A SERIES | 3 TO 5 IN A SERIES | 2 OR 3 IN A SERIES | 3 TO 5 IN A SERIES |
| LPF25D-36 (DIM TO OFF) | | | | | |
| 3 IN A SERIES | | | | | |



CALL FOR SPECIALTY DRIVER OPTIONS

LUMEN OUTPUT:

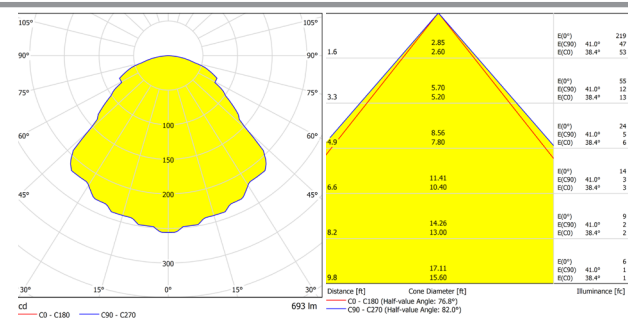
| COLOR TEMPERATURE | WATTAGE | LUMEN | CRI |
|-------------------|---------|-------|-----|
| 2700K | 6.5 | 600 | 80 |
| 3500K | 6.5 | 693 | 80 |
| 4100K | 6.5 | 728 | 80 |
| 5500K | 6.5 | 764 | 75 |

QUANTITY ESTIMATOR:

| ROOM SIZE | 15FC | 25FC | 50FC |
|-----------|------|------|------|
| 10'X10' | 4 | 8 | 15 |
| 20'X20' | 12 | 20 | 40 |
| 30'X30' | 25 | 40 | 75 |

SIMULATION BASED ON 10' CEILING HEIGHT STANDARD REFLECTANCE 80/50/20, FC = FOOTCANDLES

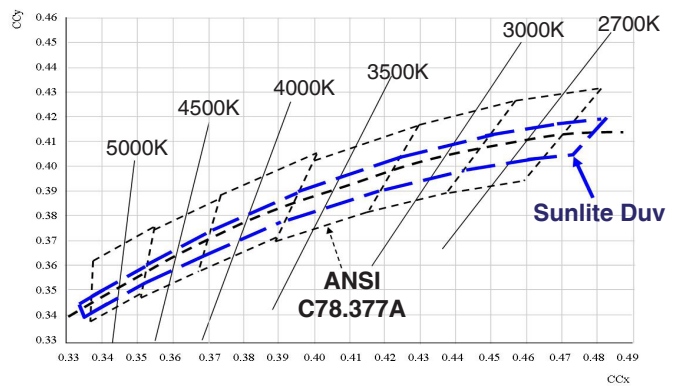
PHOTOMETRICS:



SR50M1X6-RC-35

SR50M1X6-RC-35

DUV RANGE:



TYPICAL MOUNTING CONFIGURATIONS:

