

DESCRIPTION:

Patent pending luminaire, SunStar50, is one of the brightest IC rated can light equivalents on the market at its extremely small size (2" Ø by 2" H). Energy efficient, innovative, and lightweight the 6.5W SunStar50M1X6 is a 60W 4" traditional can equivalent without the bulky necessities of a traditional can. SunStar50 comes in a standard version with a 90° beam and an optional diffused version with a 110° beam. With super bright energy efficient LEDs, the SunStar50's low profile, rugged construction, and multiple trim kits make this 148lm/watt (SR50M1X6) can light the right choice for illuminating any installation where the best illumination and energy savings are needed.

SPECIFICATIONS:

LUMINAIRE:

Total luminaire length 2". 2" diameter housing with three available trim options (2.5", 3.5", 7"). Includes one upgradable module.

CONSTRUCTION:

Extruded aluminum housing has a diameter of 2". Metal mounting bracket is tension fit to fixture and ceiling with no exposed fasteners.

MODULE:

One six chip LED module utilizing Sunlite patented application specific technology with four standard color temperature options (2700K, 3500K, 4100K, and 5500K).

CONTROLS:

0-10V Dimming when utilizing suggested dimming AC-DC driver fixtures dim down to 10%. Smart lighting compatible.

OPTICS:

Optical system consists of milled aluminum primary optic, clear glass lens, and aluminum reflector. Translucent plastic diffuser optional.

FINISH:

Standard finish for housing is anodized aluminum. Consult factory for custom colors.

ENVIRONMENT:

Damp location rated. Fixture operating temperature -30° C to 40° C.

WARRANTY:

Ten-year warranty for indoor fixture. Five-year warranty for outdoor fixture and driver. Terms and conditions apply.

ELECTRICAL:

SunStar50M1X6 setup consists of multiple fixtures and a [0-10V dimming] AC-DC driver. Fixture input wattage is 6.5W for 832 delivered-lumen package per 3500K fixture. SunStar50 contains an LED shunt protection device.

Must specify driver. Specify 110V to 277V to driver. Wire lights in series with CL2/18-2. For special circuiting or wire gauge, consult factory.

LIFETIME:

Designed and built to last over 60,000 hours.

VALIDATION:

UL/cUL listed.

SHIPPING:

Approximate net shipping weight is 0.2 lbs (0.09 kg).



PROJECT:

PRODUCT:

LOCATION:

CONTACT:



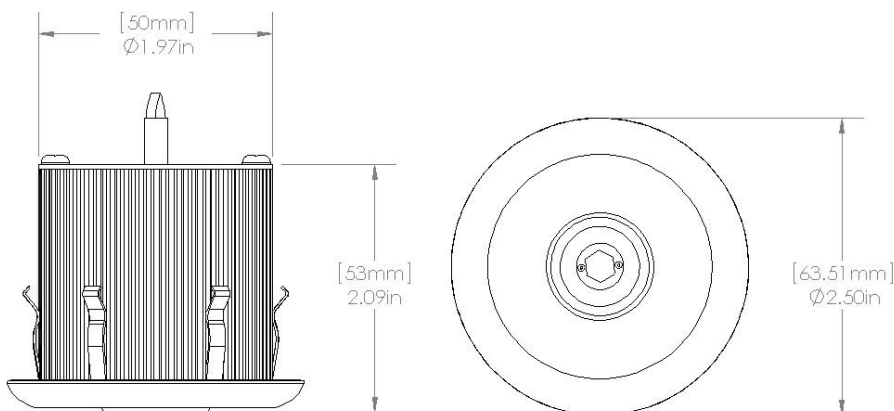
SUNSTAR50
CAN LIGHT /
DOWN LIGHT
SR50M1X6

SOLID STATE LED

USE:

TRADITIONAL
60W/6" CAN
EQUIVALENT

DIMENSIONS:



CONTACT:

4811 Quail Crest Place
Lawrence, KS 66049
www.sunlittest.com
T:785.856.0219

CERTIFICATION:

UL and cUL
Damp Location Listed
IP64 Rated

ENERGY:

>0.9 Power Factor
700mA / ~10VDC
-30° C to 40° C
6.5W

SHIPPING:

Approx. Net Weight
0.2 lbs (0.09 kg)

CATALOG NUMBER:

EXAMPLE PRODUCT CODE: SR50M1X6-0700-SV-35-2SV-D

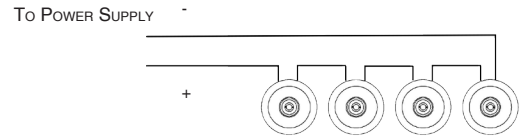
- - - - - -

PRODUCT	LED MODULE SIZE	CURRENT	HOUSING COLOR	COLOR TEMPERATURE	TRIM	DIFFUSER				
SR50	M1X6	1 MODULE 6 CHIP	0700 MA	SV	SILVER	D WITH DIFFUSER				
							55	5000K	2SV	2.5" Ø SILVER
							41	4100K	2WT	2.5" Ø WHITE
							35	3500K	3SV	3.5 Ø SILVER
							27	2700K	3WT	3.5 Ø WHITE
							SB	SOLID BLUE	6SV	7" Ø SILVER
							SG	SOLID GREEN	6WT	7" Ø WHITE
							SR	SOLID RED		
							27/55	CCT TUNING		
							RGB	RGB		

RECOMMENDED DRIVERS:

BASIC DRIVERS AND WIRING (UP TO 6 FIXTURES IN A SERIES)

NON-DIMMABLE DRIVERS					
LPLC-18-700		LPC-35-700			
1 OR 2 IN A SERIES		3 TO 5 IN A SERIES			
DIMMABLE DRIVERS					
LUC-010S070DSM	LUC-018S070DSP	EUC-026S070DSC	EUC-042S070DSC	LUC-24S070DSW (NO WIRES)	LUC-42S070DSW (NO WIRES)
1 FIXTURE	2 IN A SERIES	2 OR 3 IN A SERIES	3 TO 5 IN A SERIES	2 OR 3 IN A SERIES	3 TO 5 IN A SERIES



CALL FOR SPECIALTY DRIVER OPTIONS

LUMEN OUTPUT:

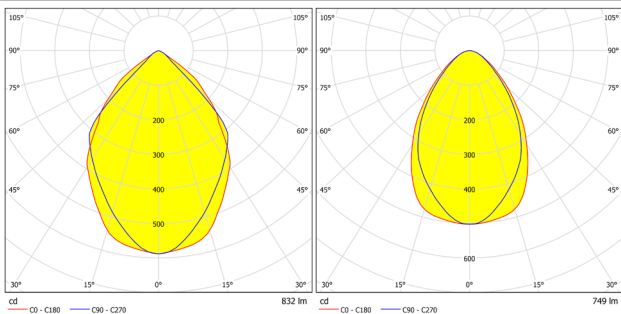
COLOR TEMPERATURE	WATTAGE	LUMEN	CRI
2700K	6.5	790	80
3500K	6.5	832	80
4100K	6.5	874	80
5500K	6.5	965	75

QUANTITY ESTIMATOR:

ROOM SIZE	20FC	35FC	70FC
10'X10'	4	6	12
20'X20'	9	16	32
30'X30'	20	36	72

SIMULATION BASED ON 10' CEILING HEIGHT STANDARD REFLECTANCE 80/50/20, FC = FOOT CANDEL

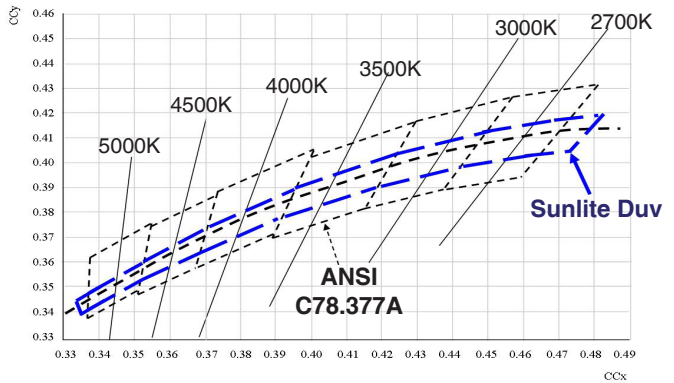
PHOTOMETRICS:



SR50M1X6-35

SR50M1X6-35-D

DUV RANGE:



TYPICAL MOUNTING CONFIGURATIONS:

