

## DESCRIPTION:

Unique luminaire, SunStrip40, is a revolutionary energy saving linear fixture with an efficacy of 125 lm/watt (ST40Y06M1X3). This ST40 fixture has an extremely thin profile (1-9/16" W X 7/16" H), only weighs 0.2 lbs, and is UL/cUL listed for damp or wet locations. The ST40Y06M1X3 luminaire comes standard with a 120° beam angle or recessed with a 90° beam angle. The modular nature of the ST40 product line makes it scalable not only in linear footage and lumen output but also in the price structure: providing flexibility in all design aspects of a project which allows for the perfect lighting scheme to be achieved. With super bright energy efficient LEDs, the SunStrip40's slim profile, rugged construction, multiple mounting options, and multiple finishes make this 125 lumen/W linear light the right choice for illuminating any installation where the best illumination, sleek integrated design, and energy savings are desired.

## SPECIFICATIONS:

### LUMINAIRE:

Total luminaire length 6".  
40mm X 10mm profile with five available mounting options.

### OPTICS:

Optical system consists of milled aluminum primary optic, clear glass lens, and aluminum reflector.

### ELECTRICAL:

SunStrip40 setup consists of multiple fixtures and [0-10V dimming] AC-DC driver. Fixture input wattage is 6.5W for 942 delivered-lumen package per 5500K fixture.

### CONSTRUCTION:

Extruded aluminum housing has a 40mm X 10mm profile. Metal/Plastic mounting brackets are tension or mechanically fit to fixture.

### FINISH:

Standard finish for housing is anodized aluminum. Consult factory for custom colors.

Must Specify driver. Specify 110V to 277V to driver. Wire lights in series with 18AWG fixture wire. For special circuiting or wire gauge, consult factory.

### MODULE:

One three chip LED module utilizing Sunlite patented application specific technology with four available color temperature options (2700K, 3500K, 4100K, and 5500K).

### ENVIRONMENT:

Damp/Wet location rated. Fixture operating temperature -30°C to 40°C.

### LIFETIME:

Designed and built to last over 60,000 hours.

### CONTROLS:

0-10V Dimming when utilizing suggested dimming AC-DC driver down to 10%. Smart lighting compatible.

### WARRANTY:

Ten-year warranty for indoor fixture. Five-year warranty for out fixture and driver. Terms and conditions apply.

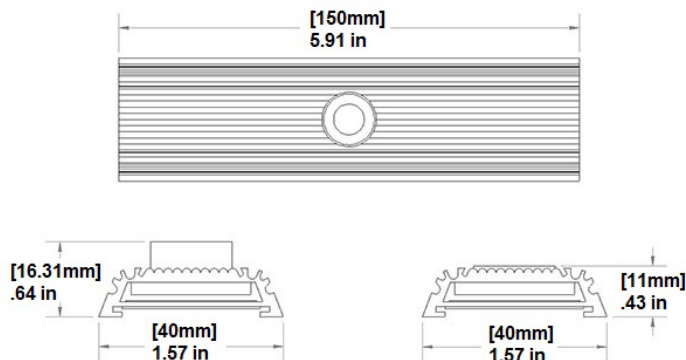
### VALIDATION:

UL/cUL listed.

### SHIPPING:

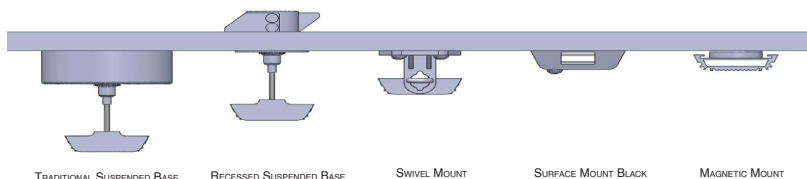
Approximate net shipping weight is 0.2 lbs (0.07 kg).

## DIMENSIONS:



## TYPICAL MOUNTING CONFIGURATIONS:

Standard Cable Length is 3'. Consult factory for a different length.



PROJECT:

PRODUCT:

LOCATION:

CONTACT:



**SUNSTRIP40**  
**STRIP LIGHT**  
**ST40Y06M1X3**

**SOLID STATE LED**

**USE:**

**UNDER CABINET**  
**STRIP LIGHT**



### CONTACT:

4811 Quail Crest Place  
Lawrence, KS 66049  
www.sunlitest.com  
T:785.856.0219

### CERTIFICATION:

UL and cUL  
Damp/Wet Location Listed  
IP64/IP68 Rated

### ENERGY:

>0.9 Power Factor  
700mA / ~ 10VDC  
-30° C to 40° C  
6.5W

### SHIPPING:

Approx. Net Weight  
0.2 lbs (0.07 kgs)

# CATALOG NUMBER:

EXAMPLE PRODUCT CODE: M1X3-0700-SV-55-TDS

\_\_\_\_\_ - \_\_\_\_\_ - \_\_\_\_\_ - \_\_\_\_\_ - \_\_\_\_\_

PRODUCT	LENGTH	LED MODULE SIZE	LED MODULE STYLE
ST40	Y06 6 INCHES	M1X3 1 MODULE 3 CHIPS	N/A FOR 120° R FOR 90°

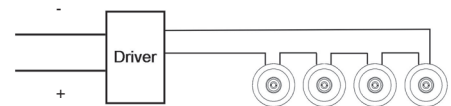
\_\_\_\_\_ - \_\_\_\_\_ - \_\_\_\_\_ - \_\_\_\_\_ - \_\_\_\_\_

CURRENT	HOUSING COLOR	COLOR TEMPERATURE	MOUNTING BRACKET STYLE	LOCATION
0700 mA	SV SILVER BK BLACK CC CUSTOM COLOR	55 5500K 41 4100K 35 3500K 27 2700K	SR SOLID RED SB SOLID BLUE SG SOLID GREEN RGB RGB	RCS RECESSED SUSPENDED BASE SWV SWIVEL MOUNT SMB SURFACE MOUNT BLACK MG MAGNETIC MOUNT TDS TRADITIONAL SUSPENDED BASE
				EX EXTERIOR (WET)

## RECOMMENDED DRIVERS:

### BASIC DRIVERS AND WIRING (UP TO 6 FIXTURES IN A SERIES)

NON-DIMMABLE DRIVERS					
LPLC-18-700		LPC-35-700			
1 OR 2 IN A SERIES		3 TO 5 IN A SERIES			
DIMMABLE DRIVERS					
LUC-010S070DSM	LUC-018S070DSP	EUC-026S070DSC	EUC-042S070DSC	LUC-24S070DSW (NO WIRES)	LUC-42S070DSW (NO WIRES)
1 FIXTURE	2 IN A SERIES	2 OR 3 IN A SERIES	3 TO 5 IN A SERIES	2 OR 3 IN A SERIES	3 TO 5 IN A SERIES
RSLD035-7A (MOST COMPACT)	RSLD035-9A (MOST COMPACT)	RSLD035-12 (MOST COMPACT)	RSLD035-16 (MOST COMPACT)	LPF25D-36 (DIM TO OFF)	
2 IN A SERIES	3 IN A SERIES	4 IN A SERIES	6 IN A SERIES	3 IN A SERIES	



## CALL FOR SPECIALTY DRIVER OPTIONS

## LUMEN OUTPUT:

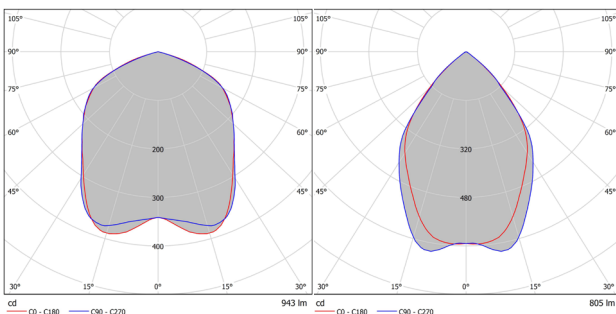
COLOR TEMPERATURE	WATTAGE	LUMEN	CRI
2700K	6.5	805 (120 °C) 658 (90 °C)	80
3500K	6.5	848 (120 °C) 693 (90 °C)	80
4100K	6.5	891 (120 °C) 728 (90 °C)	80
5500K	6.5	943 (120 °C) 804 (90 °C)	75

## WORKPLANE FOOT CANDLE:

DISTANCE FROM WORKPLANE	HALF VALUE COVERAGE (FT)	LIGHT LEVEL (FC)
3	8 (120 °C) 5 (90 °C)	37 (120 °C) 71 (90 °C)
6	16 (120 °C) 9 (90 °C)	10 (120 °C) 18 (90 °C)
8	21 (120 °C) 12 (90 °C)	5 (120 °C) 10 (90 °C)
10	26 (120 °C) 15 (90 °C)	3 (120 °C) 7 (90 °C)

FC = FOOT CANDEL

## PHOTOMETRICS:



ST40Y06M1X3-55

ST40Y06M1X3-R-55

Reference [www.sunlitest.com](http://www.sunlitest.com) for detailed photometric data.

## DUV RANGE:

