

DESCRIPTION:

Unique luminaire, SunStrip40, is a revolutionary energy saving linear fixture with an efficacy of 174 lm/watt (ST40Y12M2X6). This ST40 fixture has an extremely thin profile (1-9/16" W X 7/16" H), only weighs 0.3 lbs, and is UL/cUL listed for damp or wet locations. The ST40Y12M2X6 luminaire comes standard with a 120° beam angle or recessed with a 90° beam angle. The modular nature of the ST40 product line makes it scalable not only in linear footage and lumen output but also in the price structure: providing flexibility in all design aspects of a project which allows for the perfect lighting scheme to be achieved. With super bright energy efficient LEDs, the SunStrip40's slim profile, rugged construction, multiple mounting options, and multiple finishes make this 174 lumen/W linear light the right choice for illuminating any installation where the best illumination, sleek integrated design, and energy savings are desired.

SPECIFICATIONS:

LUMINAIRE:

Total luminaire length 12".
40mm X 10mm profile with five available mounting options.

CONSTRUCTION:

Extruded aluminum housing has a 40mm X 10mm profile. Metal/Plastic mounting brackets are tension or mechanically fit to fixture.

MODULE:

Two LED modules with six chips each utilizing Sunlite patented application specific technology with four available color temperature options (2700K, 3500K, 4100K, and 5500K).

CONTROLS:

0-10V Dimming when utilizing suggested dimming AC-DC driver down to 10%. Smart lighting compatible.

OPTICS:

Optical system consists of milled aluminum primary optic, clear glass lens, and aluminum reflector.

FINISH:

Standard finish for housing is anodized aluminum. Consult factory for custom colors.

ENVIRONMENT:

Damp/Wet location rated. Fixture operating temperature -30°C to 40°C.

WARRANTY:

Ten-year warranty for indoor fixture. Five-year warranty for outdoor fixture and driver. Terms and conditions apply.

ELECTRICAL:

SunStrip40 setup consists of multiple fixtures and [0-10V dimming] AC-DC driver. Fixture input wattage is 13W for 2263 delivered-lumen package per 5500K fixture.

Must Specify driver. Specify 110V to 277V to driver. Wire lights in series with 18AWG fixture wire. For special circuiting or wire gauge, consult factory.

LIFETIME:

Designed and built to last over 60,000 hours.

VALIDATION:

UL/cUL listed.

SHIPPING:

Approximate net shipping weight is 0.3 lb (0.15 kg).



PROJECT:

PRODUCT:

LOCATION:

CONTACT:

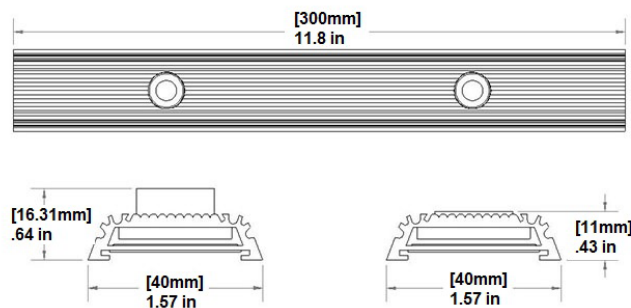


SUNSTRIP40
STRIP LIGHT
ST40Y12M2X6

SOLID STATE LED

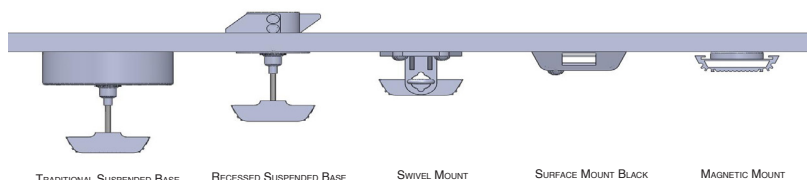
USE:
PICTURE LIGHT

DIMENSIONS:



TYPICAL MOUNTING CONFIGURATIONS:

Standard Cable Length is 3'. Consult factory for a different length.



TRADITIONAL SUSPENDED BASE

RECESSED SUSPENDED BASE

SWIVEL MOUNT

SURFACE MOUNT BLACK

MAGNETIC MOUNT



E338721

CONTACT:

4811 Quail Crest Place
Lawrence, KS 66049
www.sunlitest.com
T:785.856.0219

CERTIFICATION:

UL and cUL
Damp/Wet Location Listed
IP64/IP68 Rated

ENERGY:

>0.9 Power Factor
700mA / ~ 20VDC
-30° C to 40° C
13W

SHIPPING:

Approx. Net Weight
0.3 lbs (0.15 kg)

CATALOG NUMBER:

EXAMPLE PRODUCT CODE: ST40Y12M2X6-R-0700-SV-55-RCS-W

- - - -

PRODUCT	LENGTH	LED MODULE SIZE	LED MODULE STYLE
ST40	Y12 12 INCHES	M2X6 2 MODULE 6 CHIPS EACH	N/A FOR 120° R FOR 90°

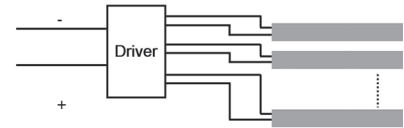
- - - -

CURRENT	HOUSING COLOR	COLOR TEMPERATURE	MOUNTING BRACKET STYLE	LOCATION
0700 MA	SV SILVER	55 5500K	RCS RECESSED SUSPENDED BASE	EX EXTERIOR WET
	BK BLACK	41 4100K	SWV SWIVEL MOUNT	
	CC CUSTOM COLOR	35 3500K	SMB SURFACE MOUNT BLACK	
		27 2700K	MG MAGNETIC MOUNT	
		27/55 CCT TUNING	TDS TRADITIONAL SURFACE MOUNT	

RECOMMENDED DRIVERS:

BASIC DRIVERS AND WIRING (UP TO 3 FIXTURES IN A SERIES)

NON-DIMMABLE DRIVERS					
LPLC-18-700		LPC-35-700			
1 FIXTURE		2 IN A SERIES			
DIMMABLE DRIVERS					
LUC-018S070DSP	EUC-026S070DSC	EUC-042S070DSC	LUC-24S070DSW (NO WIRES)	LUC-42S070DSW (NO WIRES)	
1 FIXTURE	1 FIXTURE	2 IN A SERIES	1 FIXTURE	2 IN A SERIES	
RSLD035-7A (MOST COMPACT)	RSLD035-12 (MOST COMPACT)	RSLD035-16 (MOST COMPACT)			
1 FIXTURE	2 IN A SERIES	3 IN A SERIES			



CALL FOR SPECIALTY DRIVER OPTIONS

LUMEN OUTPUT:

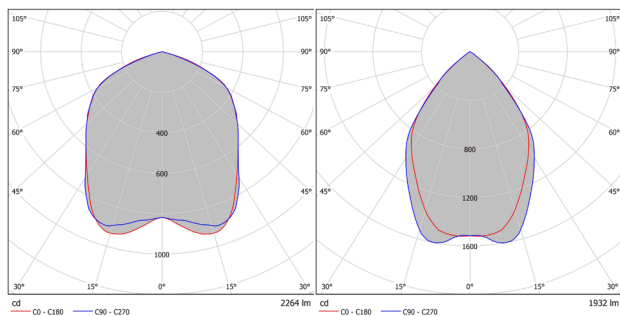
COLOR TEMPERATURE	WATTAGE	LUMEN	CRI
2700K	13	1934 (120 °C) 1581 (90 °C)	80
3500K	13	2037 (120 °C) 1664 (90 °C)	80
4100K	13	2138 (120 °C) 1747 (90 °C)	80
5500K	13	2263 (120 °C) 1930 (90 °C)	75

WORKPLANE FOOT CANDLE:

DISTANCE FROM WORKPLANE	HALF VALUE COVERAGE (FT)	LIGHT LEVEL (FC)
3	8 (120 °C) 5 (90 °C)	91 (120 °C) 169 (90 °C)
6	16 (120 °C) 9 (90 °C)	22 (120 °C) 42 (90 °C)
8	21 (120 °C) 12 (90 °C)	12 (120 °C) 23 (90 °C)
10	26 (120 °C) 15 (90 °C)	8 (120 °C) 15 (90 °C)

FC = FOOT CANDEL

PHOTOMETRICS:



ST40Y12M2X6-55 ST40Y12M2X6-R-55
Reference www.sunlitest.com for detailed photometric data.

DUV RANGE:

