

DESCRIPTION:

Unique luminaire, SunStrip40, is a revolutionary energy saving linear fixture with an efficacy of 145 lm/watt (ST40Y24M5X3). This ST40 fixture has an extremely thin profile (1-9/16" W X 7/16" H), only weighs 0.6 lbs, and is UL/cUL listed for damp or wet locations. The ST40Y24M5X3 luminaire comes standard with a 120° beam angle or recessed with a 90° beam angle. The modular nature of the ST40 product line makes it scalable not only in linear footage and lumen output but also in the price structure: providing flexibility in all design aspects of a project which allows for the perfect lighting scheme to be achieved. With super bright energy efficient LEDs, the SunStrip40's slim profile, rugged construction, multiple mounting options, and multiple finishes make this 145 lumen/W linear light the right choice for illuminating any installation where the best illumination, sleek integrated design, and energy savings are desired.

SPECIFICATIONS:

LUMINAIRE:

Total luminaire length 24".
40mm X 10mm profile with five available mounting options.

CONSTRUCTION:

Extruded aluminum housing has a 40mm X 10mm profile. Metal/Plastic mounting brackets are tension or mechanically fit to fixture.

MODULE:

Five LED modules with three chips each utilizing Sunlite patented application specific technology with four available color temperature options (2700K, 3500K, 4100K, and 5500K).

CONTROLS:

0-10V Dimming when utilizing suggested dimming AC-DC driver down to 10%. Smart lighting compatible.

OPTICS:

Optical system consists of milled aluminum primary optic, clear glass lens, and aluminum reflector.

FINISH:

Standard finish for housing is anodized aluminum. Consult factory for custom colors.

ENVIRONMENT:

Damp/Wet location rated. Fixture operating temperature -30°C to 40°C.

WARRANTY:

Ten-year warranty for indoor fixture. Five-year warranty for out fixture and driver. Terms and conditions apply.

ELECTRICAL:

SunStrip40 setup consists of multiple fixtures and [0-10V dimming] AC-DC driver. Fixture input wattage is 33W for 4714 delivered-lumen package per 5500K fixture.

Must Specify driver. Specify 110V to 277V to driver. Wire lights in series with 18AWG fixture wire. For special circuiting or wire gauge, consult factory.

LIFETIME:

Designed and built to last over 60,000 hours.

VALIDATION:

UL/cUL listed.

SHIPPING:

Approximate net shipping weight is 0.6 lbs (0.29 kg).



PROJECT:

PRODUCT:

LOCATION:

CONTACT:



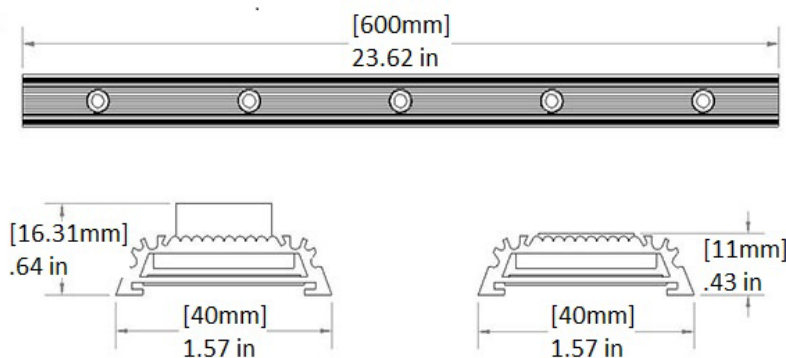
SUNSTRIP40
STRIP LIGHT
ST40Y24M5X3

SOLID STATE LED

USE:

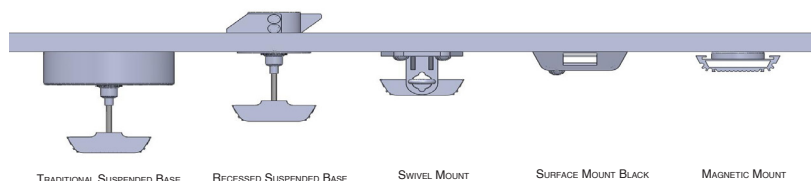
LINEAR LIGHT

DIMENSIONS:



TYPICAL MOUNTING CONFIGURATIONS:

Standard Cable Length is 3'. Consult factory for a different length.



E338721

CONTACT:

4811 Quail Crest Place
Lawrence, KS 66049
www.sunlitest.com
T:785.856.0219

CERTIFICATION:

UL and cUL
Damp/Wet Location Listed
IP64/IP68 Rated

ENERGY:

>0.9 Power Factor
700mA / ~ 48VDC
-30° C to 40° C
33W

SHIPPING:

Approx. Net Weight
0.6 lbs (0.29 kg)

CATALOG NUMBER:

EXAMPLE PRODUCT CODE: ST40Y24M5X3-R-0700-SV-35-RCS-W

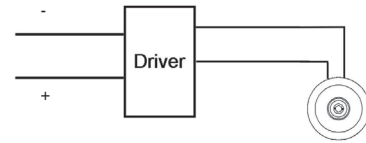
	-		-		-		-	
PRODUCT	LENGTH		LED MODULE SIZE		LED MODULE STYLE			
ST40	Y24	24 INCHES	M5X3	5 MODULES 3 CHIPS EACH	N/A	FOR 120°		
					R	FOR 90°		

	-		-		-		-				
CURRENT	HOUSING COLOR		COLOR TEMPERATURE		MOUNTING BRACKET STYLE		LOCATION				
0700 mA	SV	SILVER	55	5500K	SR	SOLID RED		RCS	RECESSED SUSPENDED BASE	EX	EXTERIOR WET
	BK	BLACK	41	4100K	SB	SOLID BLUE		SWV	SWIVEL MOUNT		
	CC	CUSTOM COLOR	35	3500K	SG	SOLID GREEN		SMB	BLACK SURFACE MOUNT		
			27	2700K	RGB	RGB		MG	MAGNETIC MOUNT		
								TDS	TRADITIONAL SUSPENDED BASE		

RECOMMENDED DRIVERS:

BASIC DRIVERS AND WIRING

NON-DIMMABLE DRIVERS					
LPC-35-700					
1 FIXTURE					
DIMMABLE DRIVERS					
EUC-042S070DSC	LUC-042S070DSW (NO WIRES)				
1 FIXTURE	1 FIXTURE				



CALL FOR SPECIALTY DRIVER OPTIONS

LUMEN OUTPUT:

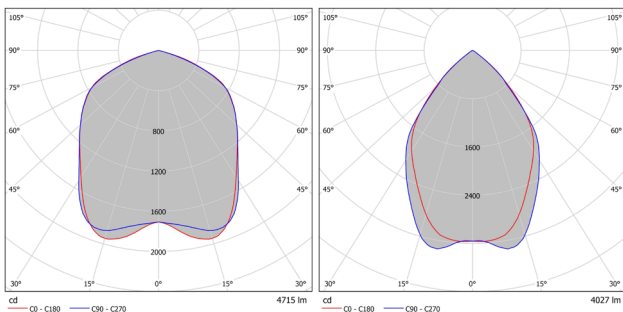
COLOR TEMPERATURE	WATTAGE	LUMEN	CRI
2700K	33	4031 (120 °C) 3293 (90 °C)	80
3500K	33	4160 (120 °C) 3467 (90 °C)	80
4100K	33	4455 (120 °C) 3640 (90 °C)	80
5500K	33	4714 (120 °C) 4021 (90 °C)	75

WORKPLANE FOOT CANDLE:

DISTANCE FROM WORKPLANE	HALF VALUE COVERAGE (FT)	LIGHT LEVEL (FC)
3	8 (120 °C) 5 (90 °C)	190 (120 °C) 350 (90 °C)
6	16 (120 °C) 9 (90 °C)	47 (120 °C) 87 (90 °C)
8	21 (120 °C) 12 (90 °C)	26 (120 °C) 50 (90 °C)
10	26 (120 °C) 15 (90 °C)	17 (120 °C) 32 (90 °C)

FC = FOOT CANDEL

PHOTOMETRICS:



ST40Y24M5X3-55

ST40Y24M5X3-R-55

Reference www.sunlitest.com for detailed photometric data.

DUV RANGE:

