

DESCRIPTION:

Unique luminaire, SunStrip40, is a revolutionary energy saving linear fixture with an efficacy of 174 lm/watt (ST40Y36M6X6). This ST40 fixture has an extremely thin profile (1-9/16" W X 7/16" H), only weighs 1.0 lbs, and is UL/cUL listed for damp or wet locations. The ST40Y36M6X6 luminaire comes standard with a 120° beam angle or recessed with a 90° beam angle. The modular nature of the ST40 product line makes it scalable not only in linear footage and lumen output but also in the price structure: providing flexibility in all design aspects of a project which allows for the perfect lighting scheme to be achieved. With super bright energy efficient LEDs, the SunStrip40's slim profile, rugged construction, multiple mounting options, and multiple finishes make this linear light the right choice for illuminating any installation where the best illumination, sleek integrated design, and energy savings are desired.

SPECIFICATIONS:

LUMINAIRE:

Total luminaire length 36".
40mm X 10mm profile with five available mounting options.

CONSTRUCTION:

Extruded aluminum housing has a 40mm X 10mm profile. Metal/Plastic mounting brackets are tension or mechanically fit to fixture.

MODULE:

Six LED modules with six chips each utilizing Sunlite patented application specific technology with four available color temperature options (2700K, 3500K, 4100K, and 5500K).

CONTROLS:

0-10V Dimming when utilizing suggested dimming AC-DC driver down to 10%. Smart lighting compatible.

OPTICS:

Optical system consists of milled aluminum primary optic, clear glass lens, and aluminum reflector.

FINISH:

Standard finish for housing is anodized aluminum. Consult factory for custom colors.

ENVIRONMENT:

Damp/Wet location rated. Fixture operating temperature -30°C to 40°C.

WARRANTY:

Ten-year warranty for indoor fixture. Five-year warranty for out fixture and driver. Terms and conditions apply.

ELECTRICAL:

SunStrip40 setup consists of multiple fixtures and [0-10V dimming] AC-DC driver. Fixture input wattage is 39W for 6789 delivered-lumen package per 5500K fixture.

Must Specify driver. Specify 110V to 277V to driver. Wire lights in series with 18AWG fixture wire. For special circuiting or wire gauge, consult factory.

LIFETIME:

Designed and built to last over 60,000 hours.

VALIDATION:

UL/cUL listed.

SHIPPING:

Approximate net shipping weight is 1.0 lbs (0.44 kg).



PROJECT:

PRODUCT:

LOCATION:

CONTACT:



SUNSTRIP40

STRIP LIGHT

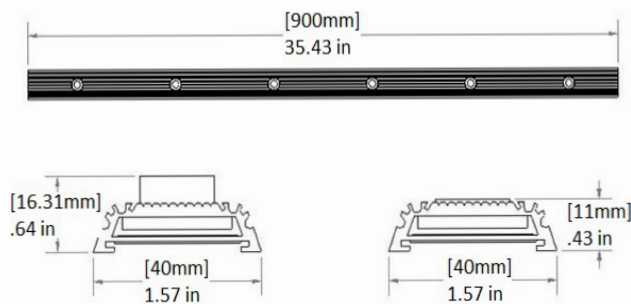
ST40Y36M6X6

SOLID STATE LED

USE:

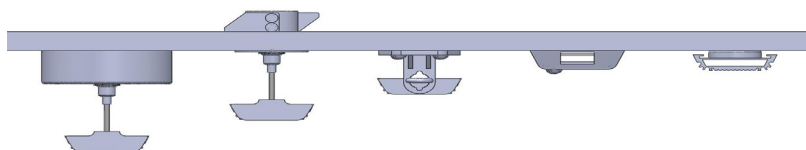
STRIP LIGHT

DIMENSIONS:



TYPICAL MOUNTING CONFIGURATIONS:

Standard Cable Length is 3'. Consult factory for a different length.



TRADITIONAL SUSPENDED BASE

RECESSED SUSPENDED BASE

SWIVEL MOUNT

SURFACE MOUNT BLACK

MAGNETIC MOUNT



E338721

CONTACT:

4811 Quail Crest Place
Lawrence, KS 66049
www.sunlittest.com
T:785.856.0219

CERTIFICATION:

UL and cUL
Damp/Wet Location Listed
IP64/IP68 Rated

ENERGY:

>0.9 Power Factor
700mA / ~ 56VDC
-30° C to 40° C
39W

SHIPPING:

Approx. Net Weight
1.0 lbs (0.44 kg)

CATALOG NUMBER:

EXAMPLE PRODUCT CODE: ST40Y36M6X6-R-0700-SV-55-TDS-W

- - - -

PRODUCT	LENGTH	LED MODULE SIZE	LED MODULE STYLE
ST40	Y36 36 INCHES	M6X6 6 MODULE 6 CHIPS	N/A FOR 120° R FOR 90°

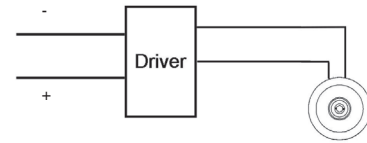
- - - -

CURRENT	HOUSING COLOR	COLOR TEMPERATURE	MOUNTING BRACKET STYLE	LOCATION
0700 MA	SV SILVER	55 5500K	SR SOLID RED	RCS RECESSED SUSPENDED BASE
	BK BLACK	41 4100K	SB SOLID BLUE	SWV SWIVEL MOUNT
	CC CUSTOM COLOR	35 3500K	SG SOLID GREEN	SMB BLACK SURFACE MOUNT
		27 2700K	RGB RGB	MG MAGNETIC MOUNT
		27/55 CCT TUNING		TDS TRADITIONAL SUSPENDED BASE

RECOMMENDED DRIVERS:

BASIC DRIVERS AND WIRING

DIMMABLE DRIVERS					
EUC-042S070DSC					
1 FIXTURE					



CALL FOR SPECIALTY DRIVER OPTIONS

LUMEN OUTPUT:

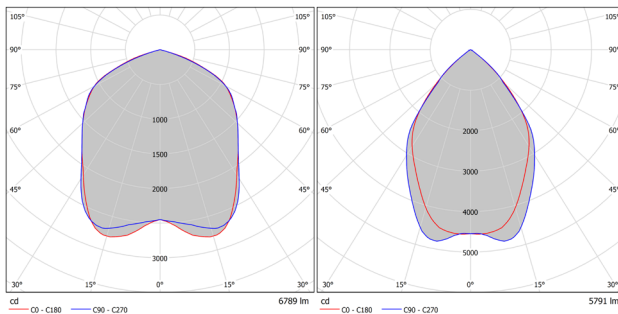
COLOR TEMPERATURE	WATTAGE	LUMEN	CRI
2700K	39	5804 (120 °C) 4742 (90 °C)	80
3500K	39	6109 (120 °C) 4992 (90 °C)	80
4100K	39	6416 (120 °C) 5242 (90 °C)	80
5500K	39	6789 (120 °C) 5790 (90 °C)	75

WORKPLANE FOOT CANDLE:

DISTANCE FROM WORKPLANE	HALF VALUE COVERAGE (FT)	LIGHT LEVEL (FC)
3	8 (120 °C) 5 (90 °C)	272 (120 °C) 505 (90 °C)
6	16 (120 °C) 9 (90 °C)	68 (120 °C) 126 (90 °C)
8	21 (120 °C) 12 (90 °C)	39 (120 °C) 71 (90 °C)
10	26 (120 °C) 15 (90 °C)	25 (120 °C) 46 (90 °C)

FC = FOOT CANDEL

PHOTOMETRICS:



ST40Y36M6X6-35

ST40Y36M6X6-R-35

DUV RANGE:

