

## DESCRIPTION:

Unique luminaire, SunStrip40, is a revolutionary energy saving linear fixture with an efficacy of 148 lm/watt. This 3ft 5500K ST40Y36M6X6R luminaire comes with a 90° beam angle.

For green wall applications, Sunlite's ST40 Recessed Luminaire ST40Y36M6X6R provides excellent lighting coverage for the entire wall. Sunlite's patented LED technology provides the greenery with enough light to flourish year-round. This ST40Y36M6X6R fixture has an extremely thin profile (1-9/16" W X 7/16" H), only weighs 1.0 lb, and is UL/cUL listed for damp (IP64) or wet (IP66) locations. They can be hanging or mounted to the ceiling through our adjustable channel Mount.

## SPECIFICATIONS:

### LUMINAIRE:

Total luminaire length 36".  
40mm X 10mm profile.  
90° beam angle.

### OPTICS:

Optical system consists of milled aluminum primary optic, clear glass lens, and aluminum reflector.

### ELECTRICAL:

SunStrip40 setup consists of multiple fixtures and [0-10V dimming] AC-DC driver. Fixture input wattage is 39W for 5790 delivered-lumen package per 5500K recessed fixture.

### CONSTRUCTION:

Extruded anodized aluminum housing has a 40mm X 10mm profile. Metal/Plastic mounting brackets are tension or mechanically fit to fixture.

### FINISH:

Standard finish for housing is anodized aluminum. Consult factory for custom colors.

Must Specify driver. Specify 110V to 277V to driver. Wire lights in series with 18AWG fixture wire. For special circuiting or wire gauge, consult factory.

### MODULE:

Six LED modules with six chips each utilizing Sunlite patented application specific technology with four available color temperature options (2700K, 3500K, 4100K, and 5500K).

### ENVIRONMENT:

Damp/Wet location rated. Fixture operating temperature -30°C to 40°C.

### LIFETIME:

Designed and built to last over 60,000 hours.

### CONTROLS:

0-10V Dimming when utilizing suggested dimming AC-DC driver down to 10%. Smart lighting compatible.

### WARRANTY:

Visit [www.sunlittest.com](http://www.sunlittest.com) for details

### SHIPPING:

Approximate net shipping weight is 1.0 lbs (0.44 kg).



PROJECT:

PRODUCT:

LOCATION:

CONTACT:

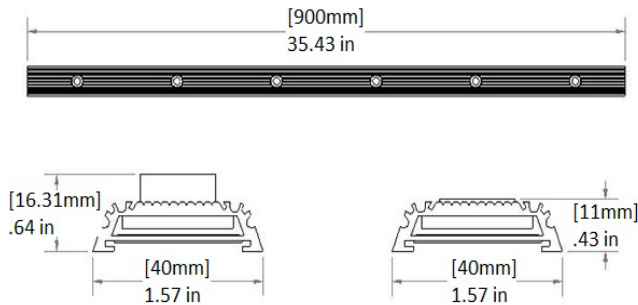


## SUNSTRIP40 STRIP LIGHT ST40Y36M6X6R

## SOLID STATE LED

## USE: GREEN WALL

## DIMENSIONS:



E338721

### CONTACT:

4811 Quail Crest Place  
Lawrence, KS 66049  
[www.sunlittest.com](http://www.sunlittest.com)  
T:785.856.0219

### CERTIFICATION:

UL and cUL  
Damp/Wet Location Listed  
IP64/IP66 Rated

### ENERGY:

>0.9 Power Factor  
700mA / ~ 56VDC  
-30° C to 40°C  
39W

### SHIPPING:

Approx. Net Weight  
1.0 lbs (0.44 kgs)

# CATALOG NUMBER:

EXAMPLE PRODUCT CODE: ST40Y36M6X6-R-700-SV-55-MPB

\_\_\_\_\_ - \_\_\_\_\_ - \_\_\_\_\_ - \_\_\_\_\_ - \_\_\_\_\_

PRODUCT	LENGTH	LED MODULE SIZE	LED MODULE STYLE
ST40	Y36 36 INCHES	M6X6 6 MODULES 6 CHIPS EACH	R FOR 90°

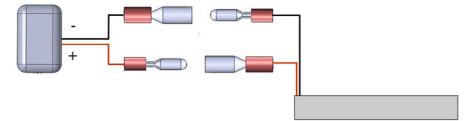
\_\_\_\_\_ - \_\_\_\_\_ - \_\_\_\_\_ - \_\_\_\_\_ - \_\_\_\_\_

CURRENT	HOUSING COLOR	COLOR TEMPERATURE	MOUNTING BRACKET STYLE
700 mA	SV SILVER BK BLACK	55 5500K 41 4100K 35 3500K 27 2700K	MPB METAL PIVOT BRACKET MPBS METAL PIVOT BRACKET, SUSPENDED SWV SWIVEL MOUNT

## RECOMMENDED DRIVERS:

### BASIC DRIVERS AND WIRING

DIMMABLE DRIVERS				
EUC-042S070DSC				
1 FIXTURE				

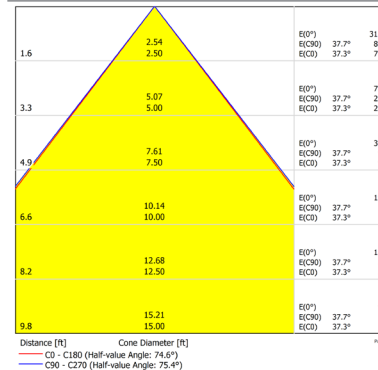


## CALL FOR SPECIALTY DRIVER OPTIONS

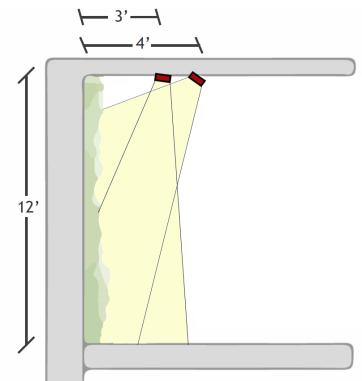
## LUMEN OUTPUT:

COLOR TEMPERATURE	WATTAGE	LUMEN	CRI
2700K	39	4742 (90 °C)	80
3500K	39	4992 (90 °C)	80
4100K	39	5242 (90 °C)	80
5500K	39	5790 (90 °C)	75

## PPFD

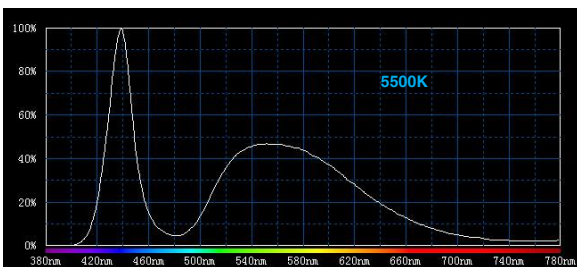


## TYPICAL LAYOUT



ST40Y36M6X6R-55  
PHOTOSYNTHETIC PHOTON FLUX DENSITY

## SPECTRUM DISTRIBUTION



## DUV RANGE:

