

DESCRIPTION:

Unique luminaire, SunStrip40, is a revolutionary energy saving linear fixture with an efficacy of 174 lm/watt (ST40Y48M10X6). This ST40 fixture has an extremely thin profile (1-9/16" W X 7/16" H), only weighs 1.0 lb, and is UL/cUL listed for damp (IP64) or wet (IP66) locations. The ST40Y48M10X6 luminaire comes standard with a 120° beam angle or recessed with a 90° beam angle. The modular nature of the ST40 product line makes it scalable not only in linear footage and lumen output but also in the price structure: providing flexibility in all design aspects of a project which allows for the perfect lighting scheme to be achieved. With super bright energy efficient LEDs, the SunStrip40's slim profile, rugged construction, multiple mounting options, and multiple finishes make this 174 lumen/W linear light the right choice for illuminating any installation where the best illumination, sleek integrated design, and energy savings are desired.

SPECIFICATIONS:

LUMINAIRE:

Total luminaire length 48".
40mm X 10mm profile with five available mounting options.

OPTICS:

Optical system consists of milled aluminum primary optic, clear glass lens, and aluminum reflector. Secondary flat clear glass lens protects against environmental build up.

ELECTRICAL:

SunStrip40 setup consists of multiple fixtures and [0-10V dimming] AC-DC driver. Fixture input wattage is 65W for 11318 delivered-lumen package per 5500K fixture.

CONSTRUCTION:

Extruded aluminum housing has a 40mm X 10mm profile. Metal/Plastic mounting brackets are tension or mechanically fit to fixture.

FINISH:

Standard finish for housing is anodized aluminum. Consult factory for custom colors.

Must Specify driver. Specify 110V to 277V to driver. Wire lights in series with 18AWG fixture wire. For special circuiting or wire gauge, consult factory.

MODULE:

Ten LED modules with six chips each utilizing Sunlite patented application specific technology with four available color temperature options (2700K, 3500K, 4100K, and 5500K).

ENVIRONMENT:

Damp/Wet location rated. Fixture operating temperature -30°C to 40°C.

LIFETIME:

Designed and built to last over 60,000 hours.

VALIDATION:

UL/cUL listed.

CONTROLS:

0-10V Dimming when utilizing suggested dimming AC-DC driver down to 10%. Smart lighting compatible.

WARRANTY:

Visit www.sunlitest.com for details

SHIPPING:

Approximate net shipping weight is 1.3 lbs (0.57 kg).



PROJECT:

PRODUCT:

LOCATION:

CONTACT:

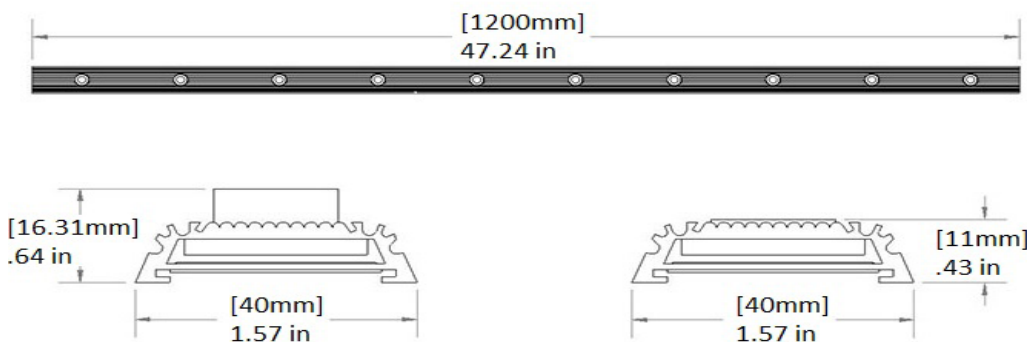


SUNSTRIP40
STRIP LIGHT
ST40Y48M10X6

SOLID STATE LED

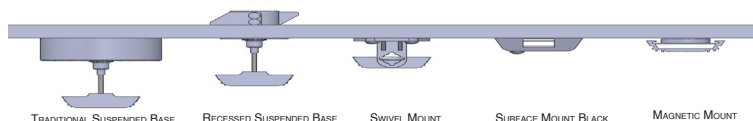
USE:
LINEAR LIGHT

DIMENSIONS:



TYPICAL MOUNTING CONFIGURATIONS:

Standard Cable Length is 3'. Consult factory for a different length.



E338721

CONTACT:

4811 Quail Crest Place
Lawrence, KS 66049
www.sunlitest.com
T:785.856.0219

CERTIFICATION:

UL and cUL
Damp/Wet Location Listed
IP64/IP66 Rated

ENERGY:

>0.9 Power Factor
1400mA / ~ 48VDC
-30° C to 40°C
65W

SHIPPING:

Approx. Net Weight
1.3 lbs (0.57 kgs)

CATALOG NUMBER:

EXAMPLE PRODUCT CODE: ST40Y48M10X6-R-1400-SV-55-RCS

- - - -

PRODUCT	LENGTH	LED MODULE SIZE	LED MODULE STYLE
ST40	Y48 48 INCHES	M10X6 10 MODULES 6 CHIPS EACH	N/A FOR 120° R FOR 90°

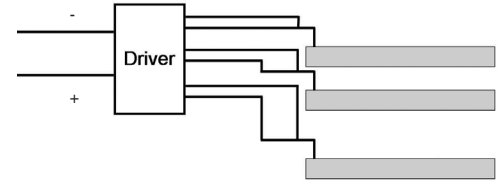
- - - -

CURRENT	HOUSING COLOR	COLOR TEMPERATURE	MOUNTING BRACKET STYLE	LOCATION
1400 MA	SV SILVER BK BLACK CC CUSTOM COLOR	55 5500K SR SOLID RED 41 4100K SB SOLID BLUE 35 3500K SG SOLID GREEN 27 2700K RGB RGB 27/55 CCT TUNING	RCS RECESSED SUSPENDED BASE SWV SWIVEL MOUNT SMB SURFACE MOUNT BLACK MG MAGNETIC MOUNT TDS TRADITIONAL SURFACE MOUNT CM CONDUIT MOUNT	EX EXTERIOR WET

RECOMMENDED DRIVERS:

BASIC DRIVERS AND WIRING

NON-DIMMABLE DRIVERS			
PLN-60-48			
1 FIXTURE			
DIMMABLE DRIVERS			
RSLD070-14	LPF-60D-48	EUC-075S140DT	EUC-200P070DT
1 FIXTURE	1 FIXTURE	1 FIXTURE	2 OR 3 IN PARALLEL



CALL FOR SPECIALTY DRIVER OPTIONS

LUMEN OUTPUT:

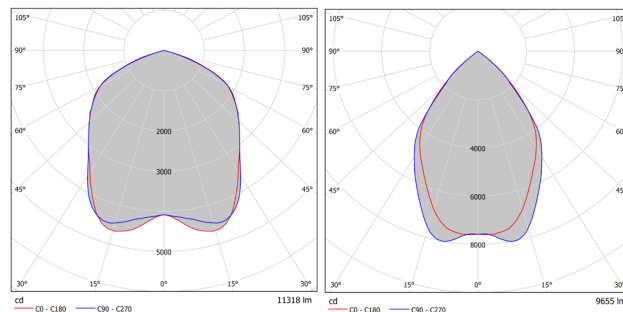
COLOR TEMPERATURE	WATTAGE	LUMEN	CRI
2700K	65	9674 (120 °C) 7904 (90 °C)	80
3500K	65	10183 (120 °C) 8320 (90 °C)	80
4100K	65	10692 (120 °C) 8736 (90 °C)	80
5500K	65	11318 (120 °C) 9654 (90 °C)	75

WORKPLANE FOOT CANDLE:

DISTANCE FROM WORKPLANE	HALF VALUE COVERAGE (FT)	LIGHT LEVEL (FC)
3	8 (120 °C) 5 (90 °C)	453 (120 °C) 841 (90 °C)
6	16 (120 °C) 9 (90 °C)	114 (120 °C) 211 (90 °C)
8	21 (120 °C) 12 (90 °C)	55 (120 °C) 118 (90 °C)
10	26 (120 °C) 15 (90 °C)	40 (120 °C) 76 (90 °C)

FC = FOOT CANDEL

PHOTOMETRICS:



ST40Y48M10X6-55

ST40Y48M10X6-R-55

Reference www.sunlittest.com for detailed photometric data.

DUV RANGE:

