

DESCRIPTION:

Unique luminaire, SunStrip40, is a revolutionary energy saving linear fixture with an efficacy of 148 lm/watt. This 4ft 5500K ST40Y48M10X6R luminaire comes with a 90° beam angle.

For green wall applications, Sunlite's ST40 Recessed Luminaire ST40Y48M10X6R provides excellent lighting coverage for the entire wall. Sunlite's patented LED technology provides the greenery with enough light to flourish year-round. This ST40Y48M10X6R fixture has an extremely thin profile (1-9/16" W X 7/16" H), only weighs 1.3 lb, and is UL/cUL listed for damp (IP64) or wet (IP66) locations. They can be hanging or mounted to the ceiling through our adjustable channel Mount.

SPECIFICATIONS:

LUMINAIRE:

Total luminaire length 48".
40mm X 10mm profile.
90° beam angle.

OPTICS:

Optical system consists of milled aluminum primary optic, clear glass lens, and aluminum reflector.

ELECTRICAL:

SunStrip40 setup consists of multiple fixtures and [0-10V dimming] AC-DC driver. Fixture input wattage is 65W for 9654 delivered-lumen package per 5500K recessed fixture.

CONSTRUCTION:

Extruded anodized aluminum housing has a 40mm X 10mm profile. Metal/Plastic mounting brackets are tension or mechanically fit to fixture.

FINISH:

Standard finish for housing is anodized aluminum. Consult factory for custom colors.

Must Specify driver. Specify 110V to 277V to driver. Wire lights in series with 18AWG fixture wire. For special circuiting or wire gauge, consult factory.

MODULE:

Ten LED modules with six chips each utilizing Sunlite patented application specific technology with four available color temperature options (2700K, 3500K, 4100K, and 5500K).

ENVIRONMENT:

Damp/Wet location rated. Fixture operating temperature -30°C to 40°C.

LIFETIME:

Designed and built to last over 60,000 hours.

CONTROLS:

0-10V Dimming when utilizing suggested dimming AC-DC driver down to 10%. Smart lighting compatible.

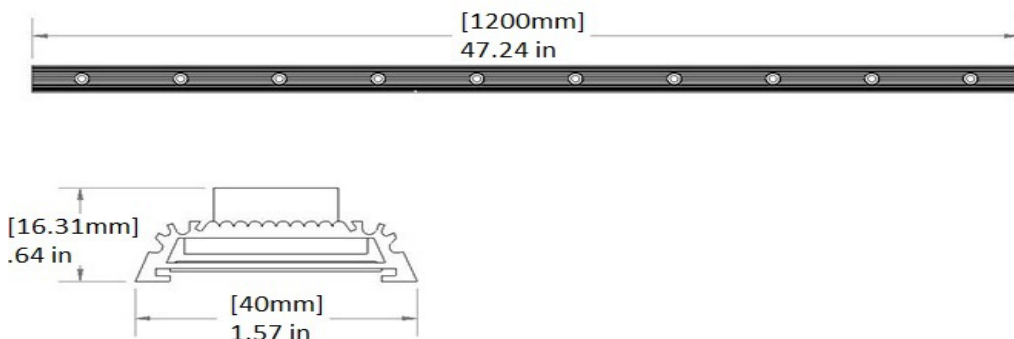
WARRANTY:

Visit www.sunlittest.com for details

SHIPPING:

Approximate net shipping weight is 1.3 lbs (0.57 kg).

DIMENSIONS:



PROJECT:

PRODUCT:

LOCATION:

CONTACT:



SUNSTRIP40
STRIP LIGHT
ST40Y48M10X6R

SOLID STATE LED

USE:
GREEN WALL



E338721

CONTACT:

4811 Quail Crest Place
Lawrence, KS 66049
www.sunlittest.com
T:785.856.0219

CERTIFICATION:

UL and cUL
Damp/Wet Location Listed
IP64/IP66 Rated

ENERGY:

>0.9 Power Factor
1400mA / ~ 48VDC
-30° C to 40°C
65W

SHIPPING:

Approx. Net Weight
1.3 lbs (0.57 kgs)

CATALOG NUMBER:

EXAMPLE PRODUCT CODE: ST40Y48M10X6-R-1400-SV-55-MPB

[] - [] - [] - [] -

PRODUCT	LENGTH	LED MODULE SIZE	LED MODULE STYLE
ST40	Y48 48 INCHES	M10X6 10 MODULES 6 CHIPS EACH	R FOR 90°

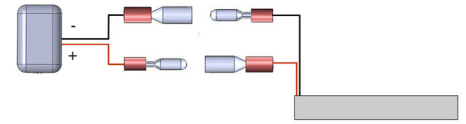
[] - [] - [] - [] -

CURRENT	HOUSING COLOR	COLOR TEMPERATURE	MOUNTING BRACKET STYLE
1400 MA	SV SILVER BK BLACK	55 5500K 41 4100K 35 3500K 27 2700K	MPB METAL PIVOT BRACKET MPBS METAL PIVOT BRACKET, SUSPENDED SWV SWIVEL MOUNT

RECOMMENDED DRIVERS:

BASIC DRIVERS AND WIRING

NON-DIMMABLE DRIVERS			
LPF-60-48			
1 FIXTURE			
DIMMABLE DRIVERS			
LPF-60D-48	EUC-075S140DT		
1 FIXTURE	1 FIXTURE		



CALL FOR SPECIALTY DRIVER OPTIONS

LUMEN OUTPUT: (90°)

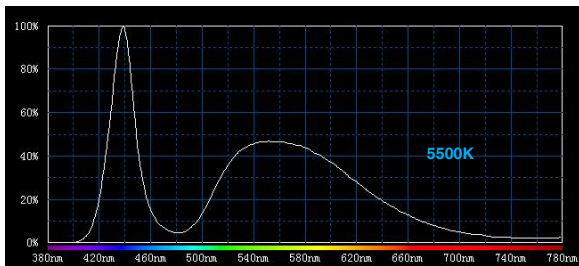
COLOR TEMPERATURE	WATTAGE	LUMEN	LUMEN/FT
2700K	65	7905	1976
3500K	65	8322	2080
4100K	65	8738	2184
5500K	65	9654	2413

MINIMUM FOOT CANDLE / UNIFORMITY (MIN/AVG) MATRIX *

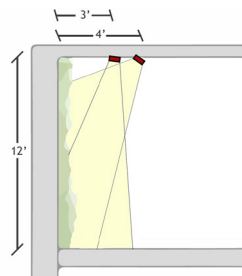
		GREEN WALL HEIGHT			
		4FT	6FT	8FT	10FT
GREEN WALL WIDTH	4FT	186 / 0.7	91 / 0.6	52 / 0.5	30 / 0.3
	8FT	249 / 0.9	123 / 0.6	82 / 0.5	53 / 0.4
	12FT	235 / 0.9	145 / 0.7	94 / 0.6	63 / 0.5
	16FT	265 / 0.9	165 / 0.7	114 / 0.7	69 / 0.6

* A SINGLE ROW OF 5500K FIXTURES ARE PLACED 4FT AWAY FROM A WALL, IF A SINGLE ROW DOES NOT MEET THE REQUIRED MINIMUM FOOT CANDLE, ADDITIONAL ROW IS RECOMMENDED.

SPECTRUM DISTRIBUTION



TYPICAL LAYOUT (TWO ROWS OF FIXTURES)



TYPICAL MOUNTING CONFIGURATIONS:

