

DESCRIPTION:

Patent pending luminaire, SunStar25-Wall Mount, is one of the brightest spot lights on the market at its extremely small size (1" Ø). Energy efficient, innovative, and lightweight the WM25M1X3 is a designer friendly interior or exterior spot light with brightness levels up to a traditional 50W equivalent. Wall Mount 25 comes in a standard version with a 90° beam and has an optional focus shield to narrow the beam. With super bright energy efficient LEDs, the Wall Mount 25's slim profile, rugged construction, and multiple finishes make this 124 lm/watt (WM25M1X3) spot light the right choice for illuminating any installation where the best illumination, sleek integrated design, and energy savings are desired.

SPECIFICATIONS:

LUMINAIRE:

Total luminaire length 4". 1" diameter housing with black heavy duty plastic rotatable bracket. Includes one upgradable module.

CONSTRUCTION:

Extruded aluminum housing has a diameter of 1". Heavy duty plastic mounting bracket is mechanically fit to fixture with adhesive.

MODULE:

One three chip LED module utilizing Sunlite patented application specific technology with four available color temperature options (2700K, 3500K, 4100K, and 5500K).

CONTROLS:

0-10V Dimming when utilizing suggested dimming AC-DC driver down to 10%. Smart lighting compatible.

OPTICS:

Optical system consists of milled aluminum primary optic, clear glass lens, and aluminum reflector. Secondary flat clear glass lens protects against environmental build up.

FINISH:

Standard finish for housing is anodized aluminum. Consult factory for custom colors.

ENVIRONMENT:

Wet location rated. Fixture operating temperature -30°C to 40°C.

WARRANTY:

Five-year warranty for fixture and driver. Terms and conditions apply.

ELECTRICAL:

Wall Mount 25 setup consists of multiple fixtures and [0-10V dimming] AC-DC driver. Fixture input wattage is 6.5W for 693 delivered-lumen package per 3500K fixture. WM25 contains an LED shunt protection device.

Must specify driver. Specify 110V to 277V to driver. Wire lights in series with 18AWG CL2R or CL2P. For special circuiting or wire gauge, consult factory.

LIFETIME:

Designed and built to last over 60,000 hours.

VALIDATION:

UL/cUL listed.

SHIPPING:

Approximate net shipping weight is 0.2 lbs (0.09 kg)



PROJECT:

PRODUCT:

LOCATION:

CONTACT:

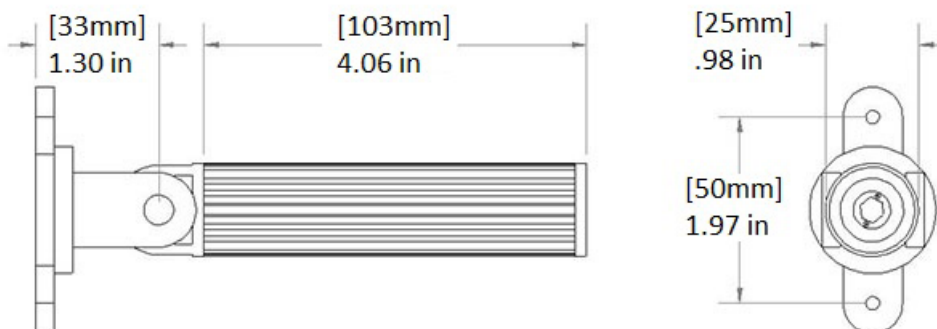


SUNSTAR25 WALL MOUNT LIGHT WM25M1X3

SOLID STATE LED

USE: INTERIOR / EXTERIOR SPOT LIGHT

DIMENSIONS:



CONTACT:

4811 Quail Crest Place
Lawrence, KS 66049
www.sunlitest.com
T:785.856.0219

CERTIFICATION:

UL and cUL
Wet Location Listed
IP66 Rated

ENERGY:

>0.9 Power Factor
700mA / ~ 10VDC
-30° C to 40°C
6.5W

SHIPPING:

Approx. Net Weight
0.3 lbs (0.12 kg)

CATALOG NUMBER:

EXAMPLE PRODUCT CODE: WM25M1X3-0700-SV-35

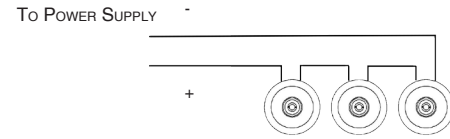
_____ - _____ - _____ - _____

PRODUCT	LED MODULE SIZE		CURRENT		HOUSING COLOR		COLOR TEMPERATURE	
WM25	M1X3	1 MODULE 3 CHIPS	0700	mA	SV	SILVER	55	5500K
					BK	BLACK	41	4100K
					BR	BROWN	35	3500K
					CC	CUSTOM COLOR	27	2700K
					SB			SOLID BLUE
					SG			SOLID GREEN
					SR			SOLID RED
					RGB			RGB

RECOMMENDED DRIVERS:

BASIC DRIVERS AND WIRING (UP TO 6 FIXTURES IN A SERIES)

NON-DIMMABLE DRIVERS					
LPLC-18-700		LPC-35-700			
1 OR 2 IN A SERIES		3 TO 5 IN A SERIES			
DIMMABLE DRIVERS					
LUC-010S070DSM	LUC-018S070DSP	EUC-026S070DSC	EUC-042S070DSC	LUC-24S070DSW (NO WIRES)	LUC-42S070DSW (NO WIRES)
1 FIXTURE	2 IN A SERIES	2 OR 3 IN A SERIES	3 TO 5 IN A SERIES	2 OR 3 IN A SERIES	3 TO 5 IN A SERIES
LPF25D-36 (DIM TO OFF)					
3 IN A SERIES					



CALL FOR SPECIALTY DRIVER OPTIONS

LUMEN OUTPUT:

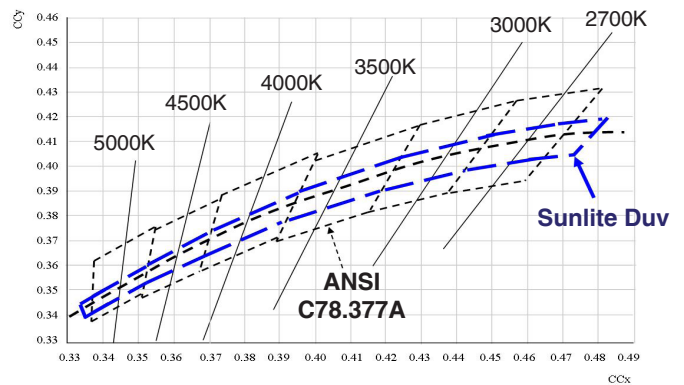
COLOR TEMPERATURE	WATTAGE	LUMEN	CRI
2700K	6.5	659	80
3500K	6.5	693	80
4100K	6.5	728	80
5500K	6.5	804	75

WORKPLANE FOOT CANDLE:

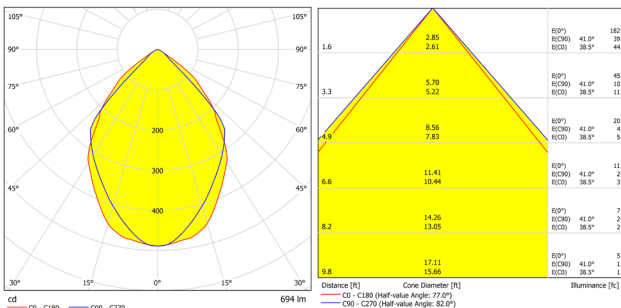
DISTANCE FROM WORKPLANE	HALF VALUE COVERAGE (FT)	LIGHT LEVEL (FC)
1.5	2.6	216
2	3.5	121
3.5	6	40

FC = FOOT CANDEL

DUV RANGE:



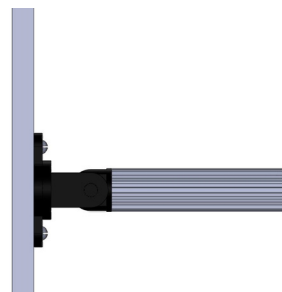
PHOTOMETRICS:



WM25M1X3-35

WM25M1X3-35

TYPICAL MOUNTING CONFIGURATIONS:



Recessed Base